

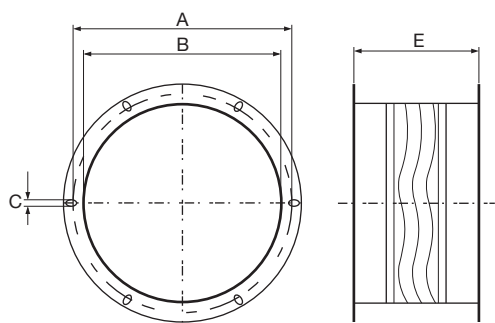


Flexible connector type RFC

Flexible connector for **ARU-S, ARU-S EC, ARFV-S, RFIS-EC** or **KRFI-SN**

Composition

- Flanges made of galvanised steel sheet
- Flexible connector made of PES
- Max. temperature +75°C



	Dimensions				
	A [mm]	B [mm]	C [mm]	E [mm]	[kg]
RFC 180 - 250	217	183	8	95...130	1
RFC 280 - 315	286	252	10	95...130	1.50
RFC 395 - 500	438	402	10	95...130	2.30
RFC 560-630	605	569	10	95...130	4.50
RFC 710	674	635	10	95...130	5