

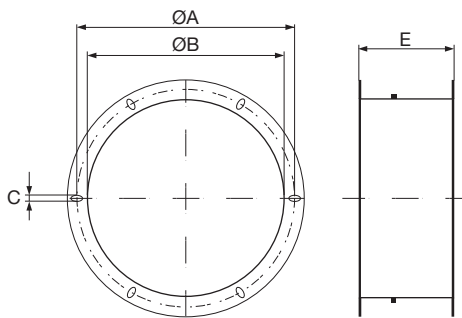


## Backdraught Shutters type RAS

Backdraught shutter for **ARU-S**, **ARU-S EC**, **ARFV-S**, **RFIS-EC** or **KRFI-SN**

### Composition

- Backdraught shutter made of galvanized steel sheet



|               | Dimensions |        |           |        |      |
|---------------|------------|--------|-----------|--------|------|
|               | A (mm)     | B (mm) | C (mm)    | E (mm) | (kg) |
| RAS 190 - 250 | 213        | 182    | 6 x ø 9,5 | 120    | 1,2  |
| RAS 280 - 315 | 286        | 253    | 6 x ø 9,5 | 162    | 2,0  |
| RAS 355 - 500 | 438        | 400    | 6 x ø 10  | 271    | 7,1  |
| RAS 560-630   | 605        | 560    | 8 x ø 10  | 271    | 10,5 |
| RAS 710       | 674        | 630    | 8 x ø 10  | 271    | 11,4 |