

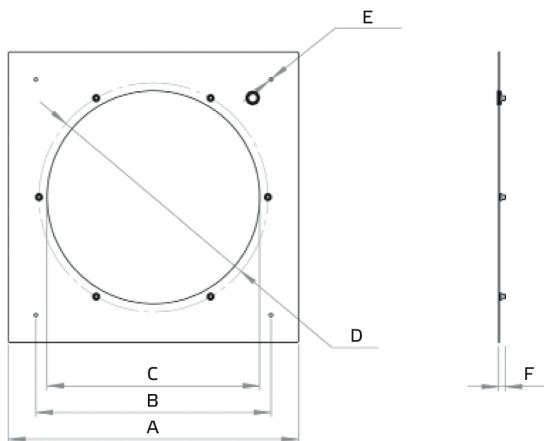


Adapterplate type RAP

Accessory adaptor plate for **RAC-I**

Composition

- Adapterplate for mounting accessories under the roofcurb.



Dimensions						
	A [mm]	B [mm]	ØC [mm]	ØD [mm]	E [mm]	[kg]
RAP 190 - 250	295	220	85	213 6x M6	4x 6,5	0,5
RAP 280 - 315	395	310	255	286 6x M6	4x 6,5	0,8
RAP 355 - 400	555	450	407	438 6x M6	4x 6,5	1,4
RAP 450 - 500	625	450	407	438 6x M6	4x 6,5	2,00
RAP 560 - 630	895	670	575	605 8x M8	4x 9,0	4,2
RAP 710	995	750	640	674 8x M8	4x 9,0	5,1