

Centrifugal fans type MN

Single inlet centrifugal fan

Application

- **MN** blowers are used for extraction of slightly dusty and wet air.
- The fan is suitable for handling air up to 80°C.

Composition

- The casing is made of sheet steel, spot-welded and paint in grey.
- Motor out of the air stream
- Dynamically and statically balanced impeller with forward curves blades.
- Squirrel-cage asynchronous motor
- Protection IP55 – Insulation F
- Supply: 230Vac 1ph 50Hz (Steinmetz type) or 230/400Vac 3ph 50Hz
- Standard version suitable for continuous drive at 80°C

Accessories

- Inlet flange, type **RNFLA**
- Outlet guard, type **RDP**
- Speed controller 230V mono, type **TSCTK-1**
- Speed controller 3x400V, type **TSCTK-4**
- Frequency converter 230V in / 3x230V out, type **FIS-13-B**
- Frequency converter 3x400V in / 3x400V out, type **FIS-44-B**

Options

- ATEX II 2G T3 version
- High temperature 250°C version
- 2-speed motors
- Stainless steel version

Order example

MN 554/230V

MN554 = fan

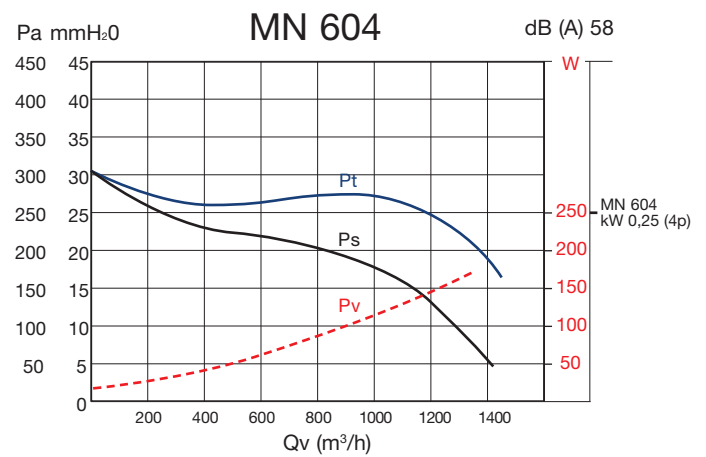
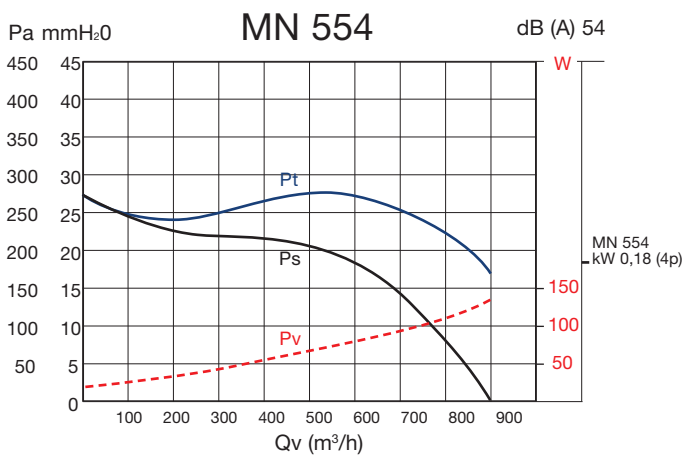
230V = supply 1ph

Air performance data					
	Q [m³/h]				
	50Pa	100Pa	150Pa	200Pa	250Pa
MN 554	850	780	690	500	-
MN 604	1400	1275	1200	800	200

Attention

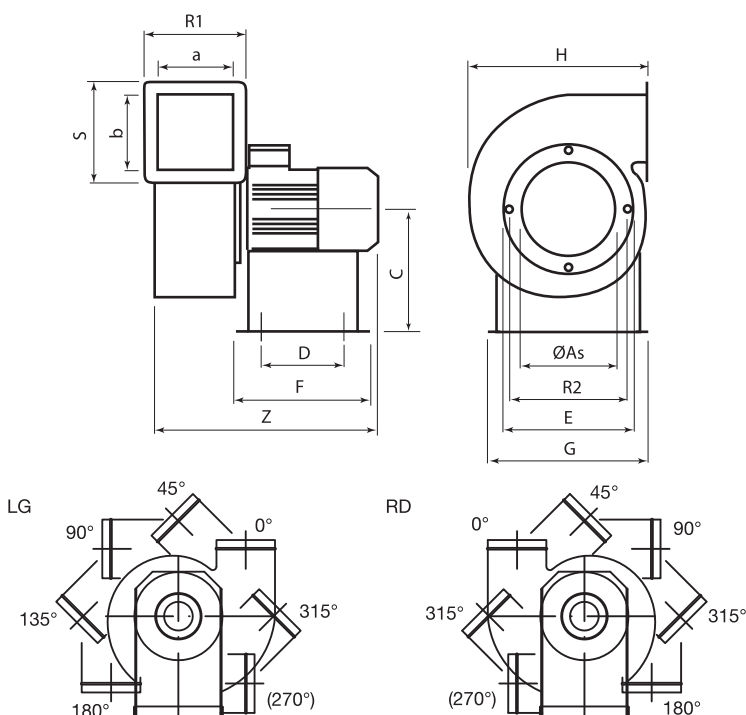
- The MN fan may never be used with free inlet. There should be a minimal counter-pressure as shown in the table above. Please measure the current at first startup.
- The motorspeed is not adjustable by means of an electronic controller.

Selection curves



Technical data						
	U [V]	P [kW]	I [A]	SC	n [rpm]	Lpa @ 1.5m [dB(A)]
MN 554	230	0.18	1.55	TSCTK-1-30 / FIS-1120E-0.37-B	1350	54
MN 604	230	0.25	2.32	TSCTK-1-30 / FIS-1120E-0.37-B	1380	58
MN 554	400	0.18	0.56	TSCTK-4-20 / FIS-4420E-0.75-B	1350	54
MN 604	400	0.25	0.77	TSCTK-4-20 / FIS-4420E-0.75-B	1380	58

- SC_T = transformer speed controller
- Lpa = sound pressure level
- Sound pressure Lpa measured according to UNI EN10531



Attention

- At the orientation drawing, the motor is directed towards you. The desired orientation has to be specified upon order.

	Dimensions													
	Dia As [mm]	a [mm]	b [mm]	C [mm]	D [mm]	E [mm]	F [mm]	G [mm]	H [mm]	R1 [mm]	R2 [mm]	S [mm]	Z [mm]	Kg
MN 554	158	136	136	196	100	190	140	220	273	160	185	160	295	7
MN 604	180	170	170	246	100	195	140	225	338	190	224	190	385	12