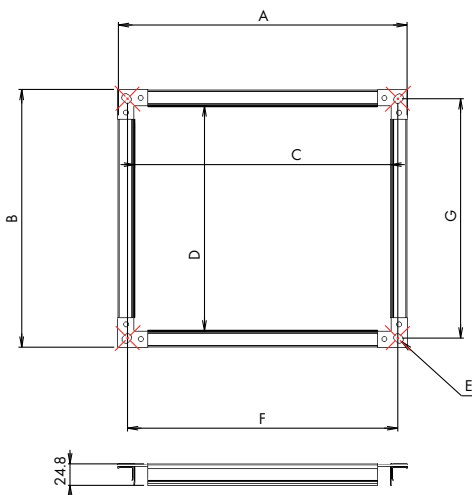


Outlet flanges type VMI FL

Outlet flange for **VMI**

Composition

- Outlet flange made of galvanised steelsheet



	Dimensions						
	A [mm]	B [mm]	C [mm]	D [mm]	E [mm]	F [mm]	G [mm]
VMI FL 7/7	270	246	232	208,6	12x9	248	224
VMI FL 9/9	336	300	298	262,6	12x9	314	278
VMI FL 10/10	369	327	333	289,6	12x9	347	305
VMI FL 12/9	349	330	311	341,8	12x9	327	309
VMI FL 12/12	433	379	395	341,8	12x9	411	357
VMI FL 15/15	509	442	471	404,8	12x9	487	420