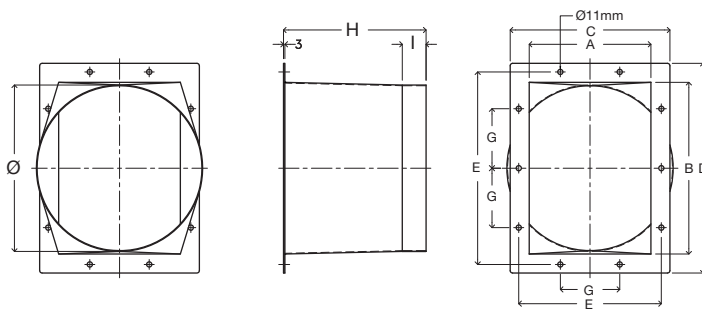


Square/round pieces for RL type RLRC

Sheet steel square/round piece

Composition

- Round/square piece made of galvanised steelsheet



	Dimensions									
	A [mm]	B [mm]	C [mm]	D [mm]	E [mm]	F [mm]	G [mm]	H [mm]	I [mm]	Ø [mm]
RLRC 310	229	322	309	402	273	366	125	300	50	315
RLRC 350	256	361	336	441	300	405	125	300	50	355
RLRC 400	288	404	368	484	332	448	125	350	50	400
RLRC 450	322	453	402	533	366	497	125	350	50	450
RLRC 500	361	507	441	587	405	551	125	400	50	500
RLRC 560	404	569	484	649	448	613	125	400	50	560