

Roof sockets for HF D type DOHF

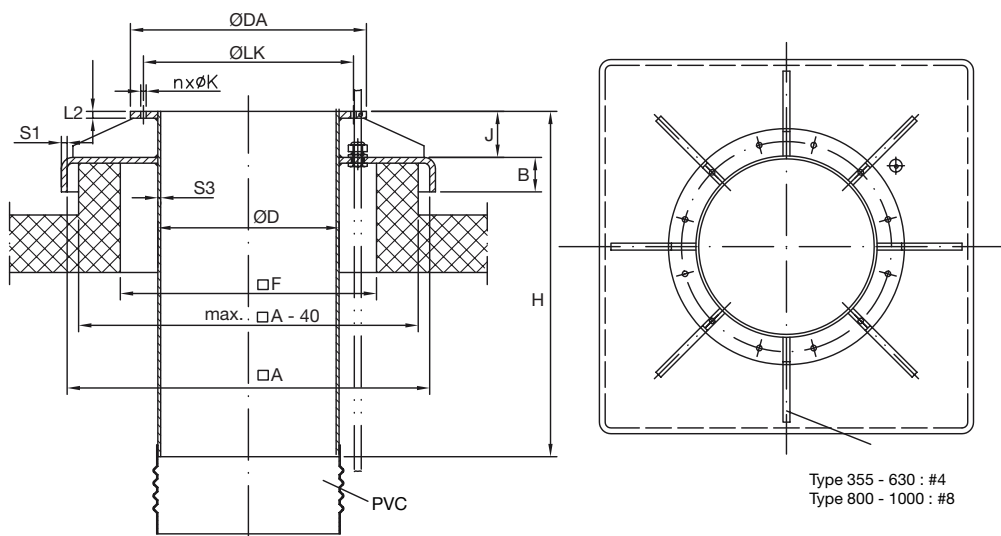
Support base for cemented elevation

Composition

- Roof socket made of PPS
- Variants:
 - DOSHF: Roof socket with base for HF D (price on request)
 - DOGSHF: Roof socket with sound-insulating base for HF D (price on request)

Accessories

Flexible PVC hose, type **PVC**



| Dimensions | | | | | | | | | | | | | | | | | | | | |
|-----------------|-----|----|-----|-----|-----|-----|-----|----|----|----|------|-------|---|-----|-------|-----|-----|----|----|----|
| | A | B | C | E | F | G | H | J | S1 | S2 | S3 | b min | m | t | w min | ØDA | ØLk | L2 | n | ØK |
| DOHF 110 | 350 | 60 | 535 | 200 | 235 | 300 | 600 | 80 | 10 | 8 | 3 | 30 | 1 | 270 | 12.50 | 170 | 150 | 8 | 8 | 10 |
| DOHF 160 | 400 | 60 | 585 | 250 | 285 | 300 | 600 | 80 | 10 | 8 | 3 | 30 | 1 | 320 | 12.50 | 230 | 200 | 8 | 8 | 10 |
| DOHF 200 | 450 | 60 | 630 | 295 | 330 | 300 | 600 | 80 | 10 | 8 | 3 | 30 | 1 | 364 | 13 | 270 | 240 | 8 | 8 | 10 |
| DOHF 250 | 450 | 60 | 630 | 295 | 330 | 300 | 600 | 80 | 10 | 8 | 3.50 | 30 | 1 | 364 | 13 | 320 | 290 | 8 | 12 | 10 |
| DOHF 315 | 630 | 60 | 745 | 410 | 445 | 300 | 600 | 80 | 10 | 8 | 5 | 40 | 1 | 489 | 18 | 380 | 350 | 10 | 12 | 10 |