

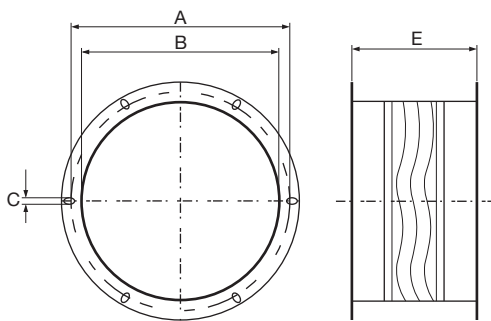


Flexible connectors type RFC F4

Flexible connector for **KRFI-SN F4**

Composition

- Flanges made of galvanised steel sheet
- Flexible connector made of silicone
- Max. temperature 400°C



	Dimensions				
	A [mm]	B [mm]	C [mm]	E [mm]	[kg]
RFC F4 225-250	213	182	9,5	130...195	1
RFC F4 280-315	286	253	9,5	130...195	1,3
RFC F4 355-500	438	400	10	116...181	3,3
RFC F4 560-630	605	560	10	116...181	4,6
RFC F4 710	674	635	10	116...181	5,1