

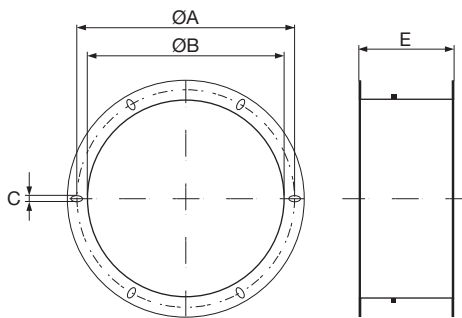


Backdraught Shutters type RAS F4

Backdraught shutter for **KRFI-SN F4**

Composition

- Backdraught shutter made of galvanised steel sheet
- Temperature class according to DIN EN 12101-3 F400 (400°C/2h)



	Dimensions				
	A [mm]	B [mm]	C [mm]	E [mm]	[kg]
RAS 190 - 250	213	182	6x Ø9,5	120	1,2
RAS 280 - 315	286	253	6x Ø9,5	162	2,0
RAS 355 - 500	438	400	6x Ø10	271	7,1
RAS 560-630	605	560	8x Ø10	271	10,5
RAS 710	674	630	8x Ø10	271	11,4