



## Exhaust roof fans 400°C/2h with horizontal discharge type RFV-P

Smoke exhaust roof unit 400°C/2h with motor outside of the airflow and horizontal discharge

### Application

- Smoke exhaust 400°C/2h up to 34.000 m³/h
- Ventilation in tertiary and industrial premises

### Composition

- The assembly impeller-motor is mounted on a plate supported by a 4 column-feet with a intake hole on the bottom
- Impeller: made of galvanized steel with aluminium hub, static and dynamic balanced;
- Electric motor outside of the airflow: class IE2, IP55 protection, class F
- Motor protection hood made of ABS (RAL7015) and provided with four small cuts for ventilation of the motor
- Service switch integrated
- Protection grille made of galvanised steel

### Accessories

- Transformer speed controller, type **TSC-1**
- Frequency converter 230V in / 3x230V out, type **FIS(-C)-13-B**
- Frequency converter 3x400V in / 3x400V out, type **FIS(-C)-44-B**
- Roof curbs, flat roof, type **CTPS**
- Acoustic roof curbs, type **CTPS-I**
- Support base for cemented elevation, type **CSM**
- Connection flange, type **PLV**
- Tilting kit, type **KDB**
- Backdraught shutters, type **CAR**

### Order example

**RFV-P 28/1 4M F400/120**

Explanation:

**RFV-P** = Type of fan

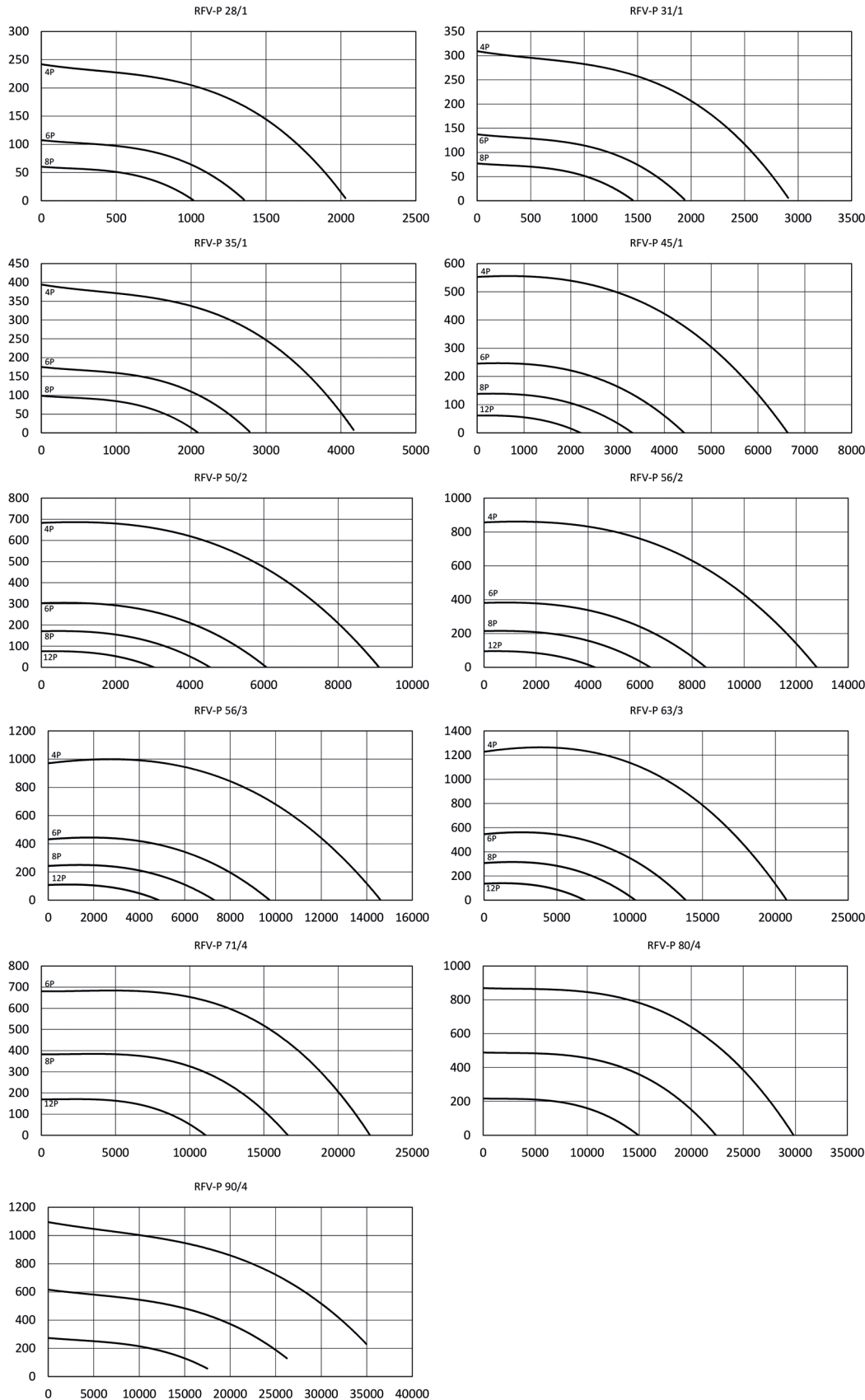
**28/1** = Size

**4** = Number of poles

**M** = Type of motor (monophase), **T** = triphase  
**F400/120** = Suitable for smoke exhaust 400°C/120 min.

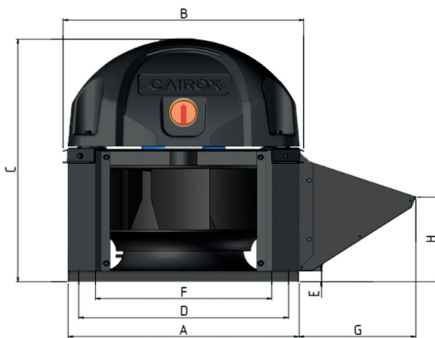
Air performance data								
	Q [m <sup>3</sup> /h]							
	100Pa	200Pa	300Pa	400Pa	500Pa	600Pa	700Pa	800Pa
RFV-P 28/1 4M/4T	1700	1050	-	-	-	-	-	-
RFV-P 31/1 4M/4T	2500	2000	300	-	-	-	-	-
RFV-P 31/1 6T	1200	-	-	-	-	-	-	-
RFV-P 35/1 4M/4T	3800	3250	2500	-	-	-	-	-
RFV-P 35/1 6T	2050	-	-	-	-	-	-	-
RFV-P 45/1 4M/4T	6100	5600	5000	2900	-	-	-	-
RFV-P 45/1 6T	3600	2400	-	-	-	-	-	-
RFV-P 50/2 4T	8575	8000	7350	6675	5150	4300	-	-
RFV-P 50/2 6T	5250	4150	-	-	-	-	-	-
RFV-P 56/2 4T	12200	11650	10950	10200	9300	8300	6900	4900
RFV-P 56/2 6T	7500	6400	4900	-	-	-	-	-
RFV-P 63/3 6T	13000	11900	10800	9400	6800	-	-	-
RFV-P 71/4 6T	21000	20000	18750	17000	15250	12500	-	-
RFV-P 80/4 6T	28500	27250	26000	24250	22500	20500	17750	13500
RFV-P 90/4 6T	-	-	33500	32000	30250	28000	25500	22000

Selection curves



Technical data							
	U [V]	P [kW]	I [A]	SC	Tm [°C]	To [°C]	n [rpm]
RFV-P 28/1 4M	1x230	0.25	2	TSC-1-22	40* / 400**	-20	1500
RFV-P 31/1 4M	1x230	0.25	2	TSC-1-22	40* / 400**	-20	1500
RFV-P 35/1 4M	1x230	0.37	2.7	TSC-1-40	40* / 400**	-20	1500
RFV-P 45/1 4M	1x230	0.75	4.7	-	40* / 400**	-20	1500
RFV-P 28/1 4T	3x230/400	0.25	0.7	FIS-4420E-0.75-B	40* / 400**	-20	1500
RFV-P 31/1 4T	3x230/400	0.25	0.7	FIS-4420E-0.75-B	40* / 400**	20	1500
RFV-P 31/1 6T	3x230/400	0.18	0.7	FIS-4420E-0.75-B	40* / 400**	-20	1000
RFV-P 35/1 4T	3x230/400	0.37	0.7	FIS-4420E-0.75-B	40* / 400**	-20	1500
RFV-P 35/1 6T	3x230/400	0.18	1	FIS-4420E-0.75-B	40* / 400**	-20	1000
RFV-P 45/1 4T	3x230/400	0.75	1.7	FIS-4420E-0.75-B	40* / 400**	-20	1500
RFV-P 45/1 6T	3x230/400	0.37	1	FIS-4420E-0.75-B	40* / 400**	-20	1000
RFV-P 50/2 4T	3x230/400	1.1	2.4	FIS-4420E-1.5-B	40* / 400**	-20	1500
RFV-P 50/2 6T	3x230/400	0.37	1	FIS-4420E-0.75-B	40* / 400**	-20	1000
RFV-P 56/2 4T	3x230/400	2.2	4.7	FIS-4420E-2.2-B	40* / 400**	-20	1500
RFV-P 56/2 6T	3x230/400	0.75	2	FIS-4420E-0.75-B	40* / 400**	-20	1000
RFV-P 63/3 6T	3x230/400	1.5	3.7	FIS-4420E-1.5-B	40* / 400**	-20	1000
RFV-P 71/4 6T	3x230/400	3	6.9	FIS-4420E-4.0-B	40* / 400**	-20	1000
RFV-P 80/4 6T	3x230/400	5.5	12.8	FIS-4420E-5.5-B	40* / 400**	-20	1000
RFV-P 90/4 6T	3x230/400	7.5	14.8	FIS-4420E-7.5-B	40* / 400**	-20	1000

- SC = Speed controller
- Tm = Maximum air temperature
  - \* Maximum air temperature in continuous operation
  - \*\* Maximum air temperature for smoke exhaust
- To = Minimum operating temperature



	Dimensions								
	A [mm]	B [mm]	C [mm]	D [mm]	E [mm]	F [mm]	G [mm]	H [mm]	[kg]
RFV-P 28/1	550	552	566	500	30	228	210	175	29
RFV-P 31/1	550	552	566	500	30	256	210	175	33
RFV-P 35/1	550	552	566	500	30	289	210	175	35
RFV-P 45/1	550	552	640	500	30	366	210	175	40
RFV-P 50/2	680	701	785	614	30	412	275	224	43
RFV-P 56/2	680	701	785	614	30	463	275	224	78
RFV-P 63/3	840	856	915	760	40	513	340	290	122
RFV-P 71/4	1050	1086	1200	950	40	577	475	385	204
RFV-P 80/4	1050	1086	1200	950	40	650	475	385	215
RFV-P 90/4	1050	1086	1200	950	40	732	475	385	295