

Silent bathroom fans type SAF Qi

Silent axial wall and ceiling fan with a low noise level and low energy consumption

Application

- Shower rooms, bathrooms, kitchens
- Low noise level
- Mounting on wall or ceiling
- **The fans have a limited static pressure available (see diagram)**

Composition

- Equipped with specially developed air conductors that reduce turbulence, as well as pressure loss and noise level
- Aerodynamic impeller that ensures a high flow at a low noise level
- Non-return foil that prevents cold drafts and limits heat loss in the event of inactivity
- Protection class IP45
- Housing and range of UV-resistant ABS
- Maintenance-free ball bearings
- Motor mounted on anti-vibration dampers that ensure whisper-quiet operation
- Motor equipped with thermal protection
- 4 different operating modes via dip switch

Models

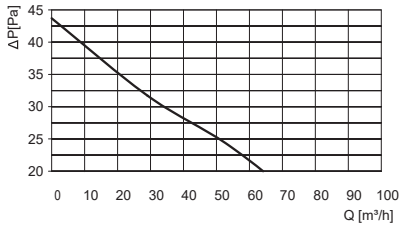
- **SAF Qi**: fan is available in 2 sizes: Ø100 and Ø125
- **SAF Qi**: standard model
- **SAF Qi T**: model with potentiometer, timer 0 – 30 min
- **SAF Qi TH**: model with potentiometer, timer 0 – 30 min and hygrostat 60-90% RH
- **SAF Qi TP**: model with potentiometer, timer 0 – 30 min and IR sensor
- Models with pullcord on request

Accessories

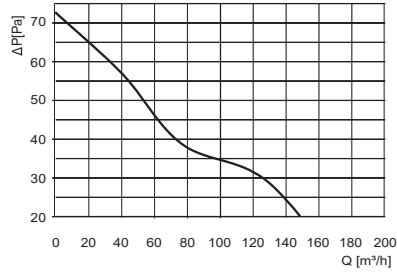
- Non-return valve, type **SAF-BS**

Selection curves

SAF Qi 100

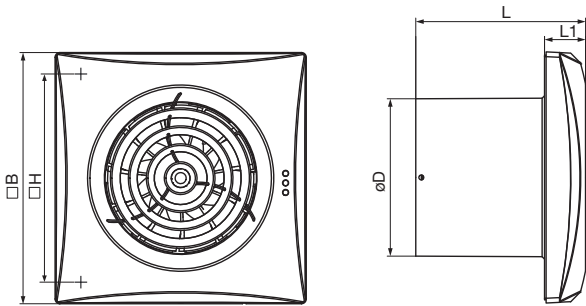


SAF Qi 125



Technical data

| | Q [m³/h] @ 0Pa | Q [m³/h] @ 20Pa | P [W] | I [A] | U[V]/50Hz | Lpa@3m [dB(A)] |
|------------|----------------|-----------------|-------|-------|-----------|----------------|
| SAF Qi 100 | 97 | 63 | 7.50 | 0.05 | 230 | 25 |
| SAF Qi 125 | 185 | 149 | 17 | 0.11 | 230 | 32 |



Dimensions

| | øD [mm] | B [mm] | H [mm] | L [mm] | L1 [mm] | [kg] |
|------------|---------|--------|--------|--------|---------|------|
| SAF Qi 100 | 99 | 158 | 136 | 81 | 26 | 0,55 |
| SAF Qi 125 | 123,5 | 182 | 158 | 91 | 27 | 0,78 |