



Roof passages with lead flashings type DLL

Enclined roof passage for **DDI** discharge pipes, available in 18 - 62° enclination

Order example

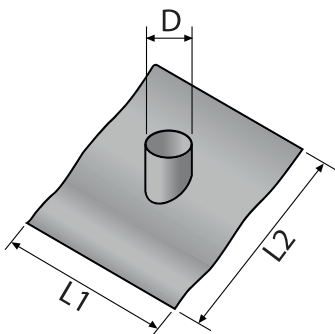
■ **DLL 203 / 43-47°**

Explanation

DLL = inclined roof passage for DDI

203 = Connection diameter

43-47° = Inclination of the roof



Dimensions			
	D	L1	L2
[mm]	203	650	700

Remark

The deposit of lead on slate roofs can be avoided by applying patination oil on the lead roof flashing.