



Switch type DC-CV

Control switch

Application

- Part of Duco's controlled natural ventilation systems: the control switch controls the ventilation system after manual adjustment. An optional manual control, with or without battery, allows the inhabitant to adjust the ventilation himself in the desired position.

Specifications

- The control switch is available in 2 versions:
 - Wireless ('RF') - Wired ('Wired') - **To be defined at installation**
 - Battery powered ('RF battery')
- Material: PC-ABS
- Connection voltage : (VAC) 230 (RF) - (VDC) 24 (Wired) - **To be defined at installation**
- Connection voltage (V): battery-powered (RF)
- Operating circumstances: 0 to 40°C, not water resistant
- Color:
 - Control: black (B) or white (W)
 - Cover plate supplied: white
- Fasteners:
 - Mounting box with screw and 60 mm depth with 230 V connection or 5-wire cable (5 x 0.8 mm solid wire) for wired communication
 - Switching material with dimensions 45 x 45 mm
- Location:
 - In a humid room (the bathroom is recommended)
 - Recessed or surface mounting possible with battery power

Accessories

- For wired / 24 VDC components, a transformer from 230 VAC to 24 VDC, type DHDR8-24 / 36, must be provided

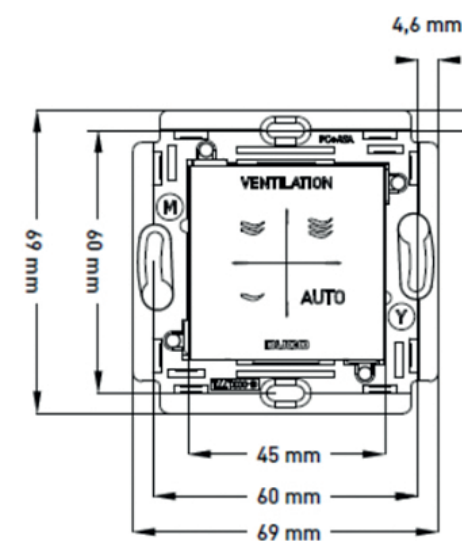
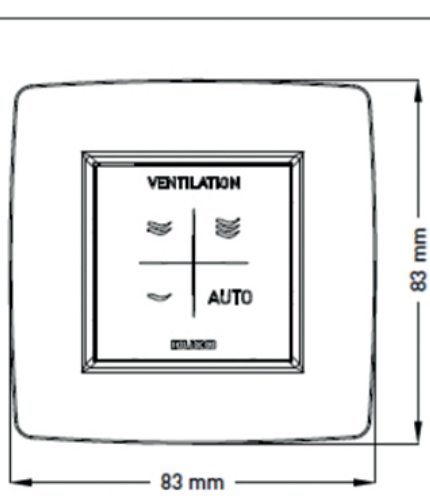
Order example

DC-CV RF230/W24 B

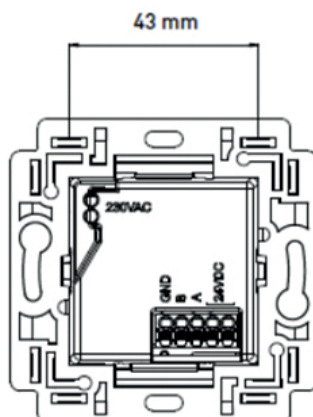
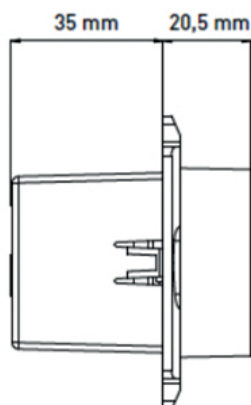
Explanation:

- DC = Duco brand
- CV = Order
- RF = Wireless communication with DucoBox
- 230/W24 = Supply voltage 230V AC of 24 VDC
- B = Black

Technical data		
	DC-CV RF/BAT B	DC-CV RF230/W24
Width x height x depth	69 x 69 x 17 mm	69 x 69 x 55,5 mm
Weight	38 g	179 g
Display	1 LED RGB	4 LED's RGB
Material	PC-ABS	PC-ABS
Power supply	CR2430 3V Button-cell battery	230V / 24VCC
Peak power		1,2W
Communication	RF	RF / Câblé



RF-WIRED / 230VCA - 24VCC



RF/

