

## Ducobox Silent Connect type DC-BOX

The **Ducobox Silent-Connect** and **Focus** are compact, very silent and extremely energy-efficient extraction units for domestic applications on demand, with easy programming up to 400 m<sup>3</sup>/h for demand-driven C systems. The flow rates are measured (centralized or individual) and adjusted by means of valves with integrated sensors, room sensors or sensors integrated in the device. This type of ventilation ensures minimal consumption and heat loss. The simple construction and efficient DC motor of the Ducobox, guarantee a long service life

### Application

- Ventilation system C with  $f_{reduc}$  from 1 to 0.35
- The **Ducobox Silent Connect** and **Focus** can be connected to 66 humidity or CO<sub>2</sub> sensors, controls and / or switching contact, in addition, the Ducobox Focus can also control up to 7 VAV valves with integrated sensors (**DC-VAV**)
- The **Ducobox Silent-Connect** and **Focus** can also be used without RH or CO<sub>2</sub> measurement, in which case a **DC-CV** control switch is required
- Suitable for wall and ceiling mounting
- Possibility of controlling 0-10V, ModBus or 24V Duco wired (transformer required) by means of a communication board, type **DC-PCB COM**
- The **Ducobox Focus** can be used with the **Duco Comfort Plus system** and the **Duco Tronic (plus)** system
- The **Ducobox Silent Connect** can be used with the **Duco Reno** system and the **Duco Tronic** system

### Composition

- 7 suction points and 1 outlet point of Ø125 mm
- EBM DC motor
- Soundproof interior
- For wall and ceiling mounting
- Delivered as standard without remote control
- Can communicate with the "24V Duco-Wired" network
- Equipped with a "nightboost" function

### Certification

- Tested according to NBN EN 308: [www.epbd.be](http://www.epbd.be)

**Accessories**

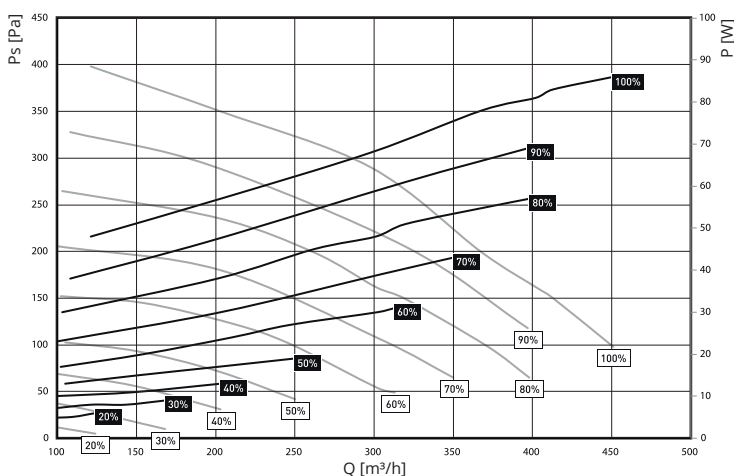
- **DC-BOX SILENT CONNECT:**
  - **DC-RENO:** package CO<sub>2</sub> box sensor (**DC SENBOX CO2**), RH box sensor (**DC SENBOX RH**), switch contact (**DC-SC RF230**) and control switch (**DC-BAT CV**)
  - **DC-CV:** 3-position switch with auto function
  - **DC-SILP:** acoustic package -3dB (A)
  - **DC-SEN CO2:** CO<sub>2</sub> room sensor
  - **DC-SEN RH:** RH room sensor
  - **DC-SC RF230:** switching contact
  - **DC-PCB COM:** communication print
  - **DC-ADAP:** trousers 2x Ø125 to 1x Ø160 mm
  
- **DC BOX FOCUS:**
  - **DC-BCS PLUS:** basic package for Comfort Plus and Tronic (Plus) with CO<sub>2</sub> valve for open kitchen (**DC-VAV CO2 75**), RH valve for the bathroom (**DC-VAV RH50**), CO<sub>2</sub> valve for the toilet (**DC -VAV CO2 25**)
  - **DC-CV:** 3-position switch with auto function
  - **DC-SILP:** acoustic package -3dB (A)
  - **DC-VAV:** control valves based on RH and CO<sub>2</sub> measurement
  - **DC-SEN CO2:** CO<sub>2</sub> room sensor
  - **DC-SEN RH:** RH room sensor
  - **DC-SC RF230:** switching contact
  - **DC-PCB COM:** communication print
  - **DC-VDB:** distribution piece for regulating valves

Air performance data								
		Q [m³/h]						
		100Pa	150Pa	200Pa	250Pa	300Pa	350Pa	400Pa
DC-BOX SILENT CONNECT	V1	450	420	365	330	280	200	120
DC-BOX FOCUS	V1	450	420	365	330	280	200	120

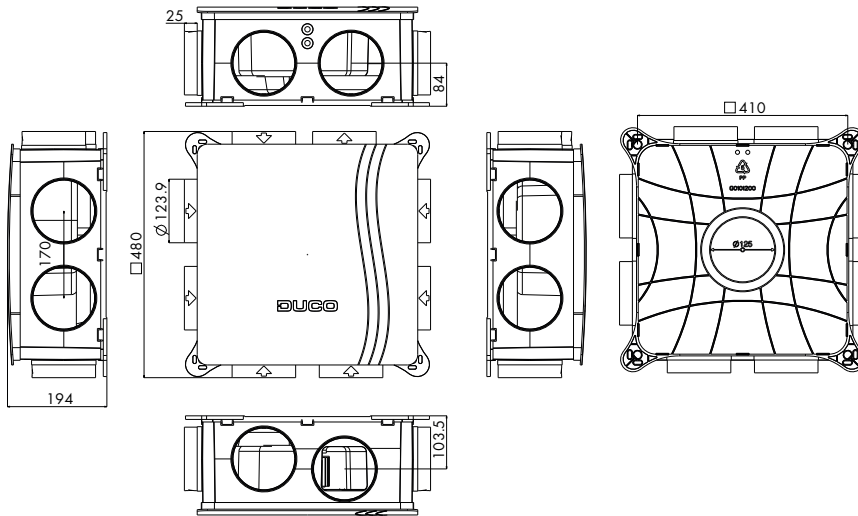
Technical data	
DC-BOX SILENT CONNECT / FOCUS	
Dia in	7x dia 125 mm
Dia out	1x dia 125 mm
Drain capacity at 150 Pa	400 m³/h
Width x Height x Depth	480 x 480 x 194 mm
Weight	4,3 kg
Unom	230 VAC - 50 Hz
Inom	0,65 A
Pmax	85 W

Technical data			
EPB value consumption fans			
Consumption of fans	DC	Nominal discharge flow [m³/h]	Calculated power value [W]
DC-BOX SILENT CONNECT / FOCUS	yes	225	47
DC-BOX SILENT CONNECT / FOCUS	yes	325	67
DC-BOX SILENT CONNECT / FOCUS	yes	400	85

**Selection curves**



Black = Power  
Gray = Pressure/Air flow



**Energy efficiency class**

- Class D in a system with at least 1 sensor