

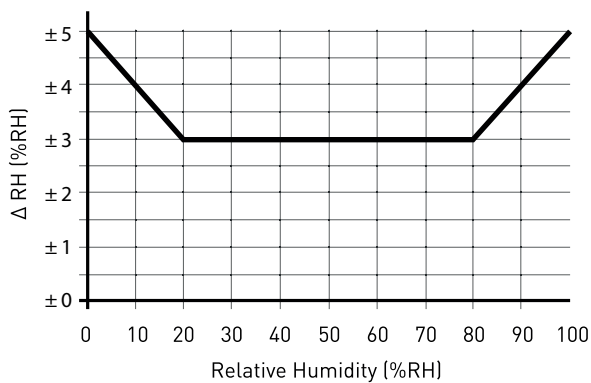


CO₂, humidity or presence controlled valves type DC-IAV

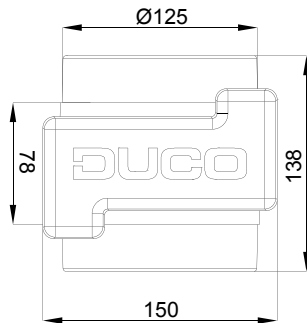
CO₂ (and humidity controlled) valves available in Ø125 mm or Ø160 mm

Application

- Decentralised valve for removal of (polluted) air in centralised ventilation systems for residential applications



DC-IAV 125



DC-IAV 160

