

- Insulated ducts
- ISDR - Foam + PE shell
- Roof- and wall terminals



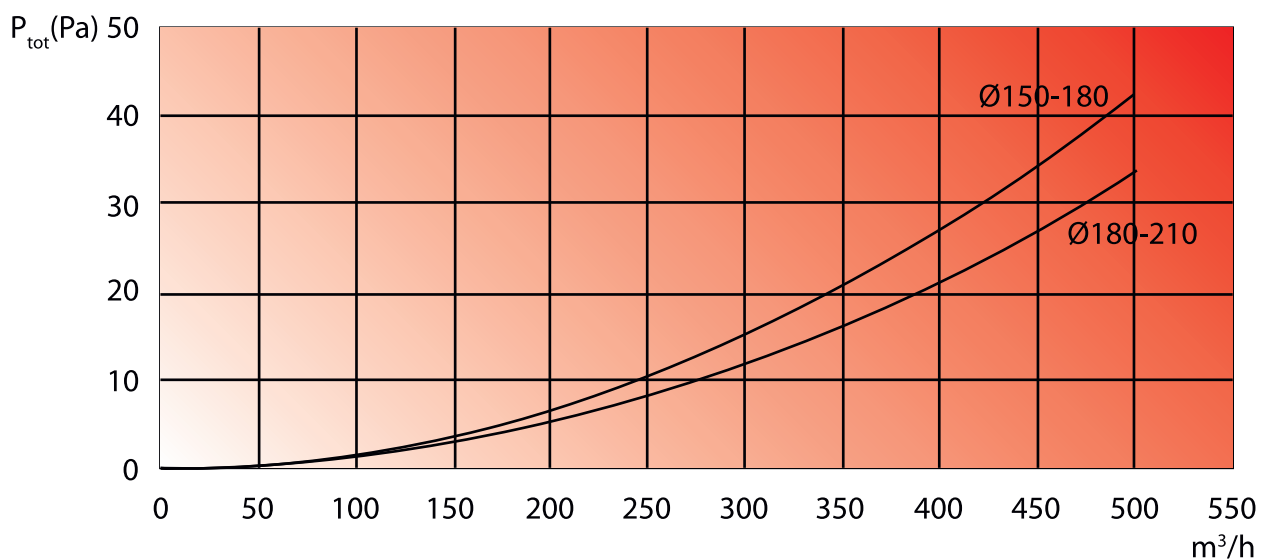
Roof pass-throughs for ISDR ducts type ISDR-DDI

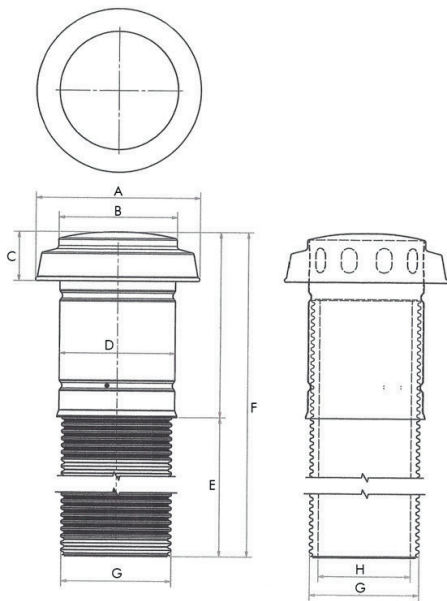
Roof pass-throughs made of steel, black coated, L= 98 9mm, connection diameter 170 mm made for connection to the insulated ducting type **ISDR**, outer diameter 200 mm

Accessories

- Lead flashings roof passage, type **DLL** (only applicable for ISDR-DDI 200/170)
- Roof pass-throughs, type **ISDR PP**
- insulated ducting, type **ISDR**

Pressure loss diagram





Dimensions								
ISDR DDI	A [mm]	B [mm]	C [mm]	D [mm]	E [mm]	F [mm]	G [mm]	H [mm]
ISDR DDI 160/125	265	178	68	178	625	965	160	125
ISDR DDI 200/170	300	217	90	217	665	1005	200	170
ISDR DDI 250/200	415	275	117	272	500	1000	255	200

Color

- Black (RAL 9005)