

- Residential
- Brink
- Accessories for Flair, CHR PRO and Renovent
- Accessories

A<sup>+</sup>

A

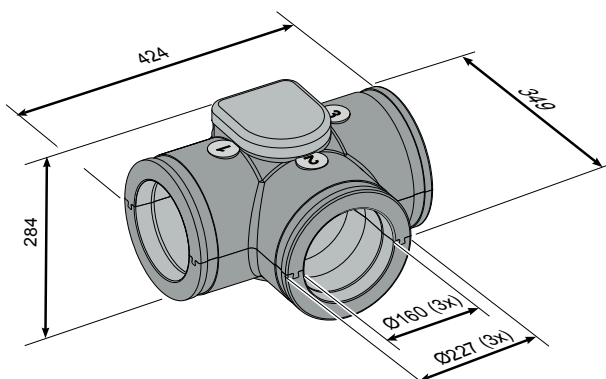


## Demand Controlled Ventilation 2.0 type DCV

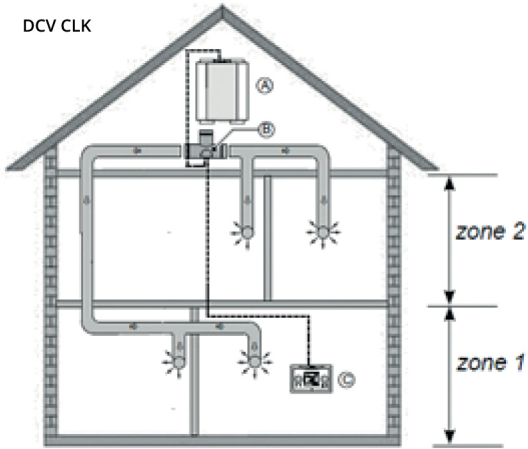
Demand Controlled Ventilation 2.0 can be combined with **Flair**, **CHR PRO**, **Renovent Excellent** and **Renovent Sky** appliances

### Brand

- Brink



DCV CLK



DCV C02

