

AIR70

- $Q_v \leq 70 \text{ m}^3/\text{h}$
- Heat recovery unit with efficiency $\geq 75\%$

A



type AIR70

Silent decentralized ventilation unit with heat recovery, high efficiency and low consumption for rooms with a flow rate of 10 to 72 m³/h. Eurovent certified hygienic devices are also available on request.

Brand

- Brink

Application

- Decentralized ventilation with heat recovery for smaller spaces

Specifications

- Installation in the outer wall, without ductwork
- Can be used with wall thicknesses from 270 mm to 600 mm
- Easy mounting, hole size dia. 280mm
- Flow rates can be set per position between 10 and 72 m³/h

Composition

- Counterflow heat exchanger with "straws" made of plastic and developed by Brink with high efficiency
- Housing of heat exchanger in EPP
- 100% bypass with seasonal detection
- Built-in proportional frost protection
- Energy-efficient stepless EC motor for 2 fans (from 0.2W/m³/h)
- constant flow motor
- 4 adjustable positions
- Filter class G4 - ISO 16890 Coarse $\geq 60\%$ (air exhaust) and F7 - ISO 16890 ePM1 $\geq 50\%$ (air intake)
- IPX4 on the outside, IP20 on the inside
- Filter indication (LED) on the device
- Standard ModBus connection with Plus version

Accessories

- Insulated outdoor unit with stainless steel or white (RAL9010) finish, type **AIR70 WD**, necessary for installation
- Filter set with F7 filter for the air intake and 2 x G4 filters for the air exhaust, type **FS AIR70** G4 - ISO 16890 Coarse $\geq 60\%$ / F7 - ISO 16890 ePM1 $\geq 50\%$

BRINK*Air for Life*

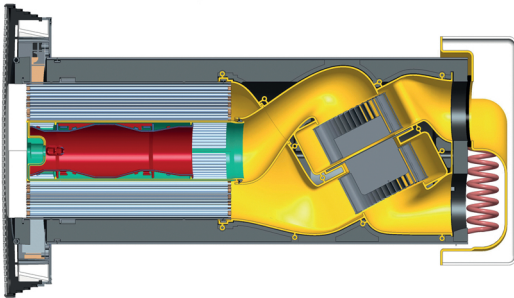
Only for PLUS version:

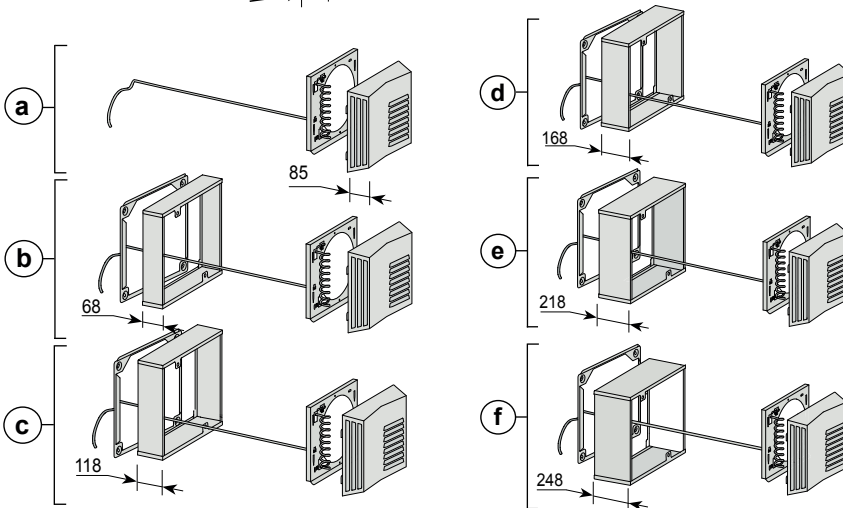
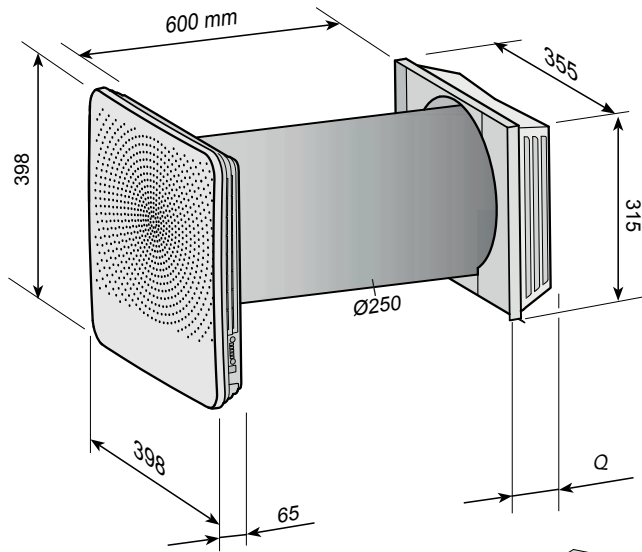
- On/off switch, type **AIR70 SWITCH** for on/off switching
- External 2 or 4 position switch, type **CVREN2** or **CVREN4** and **RJ12**
- Internal CO2 sensor, type **AIR70 SEN CO2**
- Internal RH sensor, type **AIR70 SEN RHT**
- Brink Home, WLAN interface, type **AIR70 HOME**

Order example

- **AIR70 (PLUS)** - Always in combination with:
 - **AIR70 WD-SW XXX - YYY**= Insulated outdoor finishing kit to be chosen according to the wall thickness, in stainless steel or white (RAL9010). No finishing kit is required for wall thicknesses of 500 to 550mm.
- **XXX - YYY** = For wall thicknesses from **XXX** mm to **YYY** mm

Technical data		1	2	3	4	5
Flow rate	V	15	25	40	55	72
Power	[m ³ /h]	4.2	5.3	8	14	23.5
Amperage	[W]	0.05	0.07	0.1	0.15	0.23
Amperage 175W preheater included	[A] max. 175W preheater included	1.3	1.3	1.3	1.3	1.3
Sound power ISO	[dB(A)] - ISO5135:1997	28	33	41.5	47.5	52.5
Sound power [1m]	[dB(A)] @ 1m	26	30	39	45	50
Sound power [3m]	[dB(A)] @ 3m	24	29	38	44	49
Sound power @ 3m open field	[dB(A)] @ 3m open field	13	18	26	32	38





Dimensions			
	W [mm]	A [mm]	Q [mm]
a	500-600	-	85
b	450-500	68	135
c	400-450	118	185
d	350-400	168	235
e	300-350	218	285
f	270-300	248	315

Note

W = Wall thickness
A = Thickness extension kit