



## Electronic speed controllers up to 4A type ESC

Manual electronic speed controller

### Application

- Electronic speed controller with rotary knob for speed control of controllable AC motors
- Suitable for built-in as well as for surface mounting

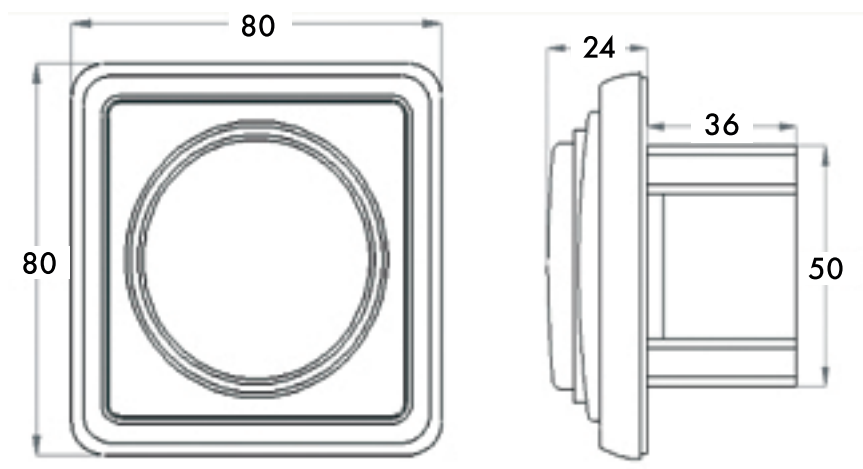
### Composition

- Plastic casing: ABS, RAL 9003
- Supply: 230 Vac - 50 Hz
- Stepless variable speed control via rotary pushbutton with on/off function
- LED indication
- Fuse (A) (5\*20 mm)
- Built-in temperature cut-off fuse
- Minimum speed setting by potentiometer
- IP20 (built-in mounting) / IP44 (surface mounting)
- Max. ambient temperature: 30°C
- Several motors can be connected to the speed controller as long as the total current of the controller is not exceeded
- All models have an extra (not regulated) 230V output
- Can generate a magnetic noise at low fan speed

### Order example

#### ESC-30

ESC = type controller  
30 = 3A (max current)



### Wiring diagram

