



Potentiometers 0-10V type ESCP

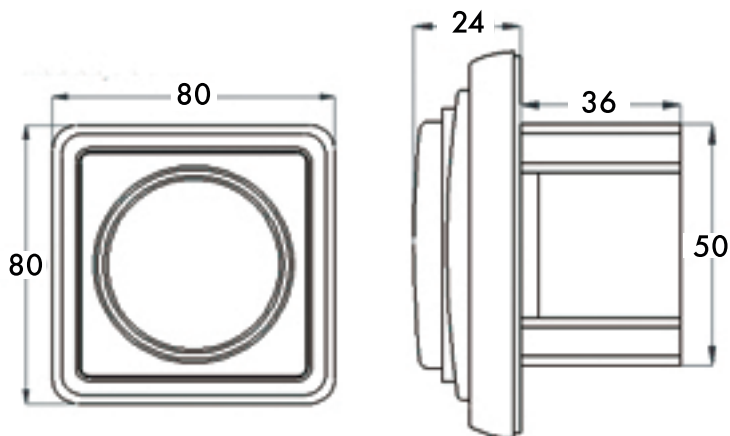
Potentiometer with 0-10V output

Application

- Speed control of fans with EC motor
- Suitable for built-in as well as surface mounting

Composition

- Plastic casing: ABS, RAL 9003
- Resistance: 20kOhm
- Switch rating: 3A/250Vac – 10A/12Vdc
- Protection: IP44 built-in / IP54 surface mounting
- Max. ambient temperature: 40°C



Wiring diagram

