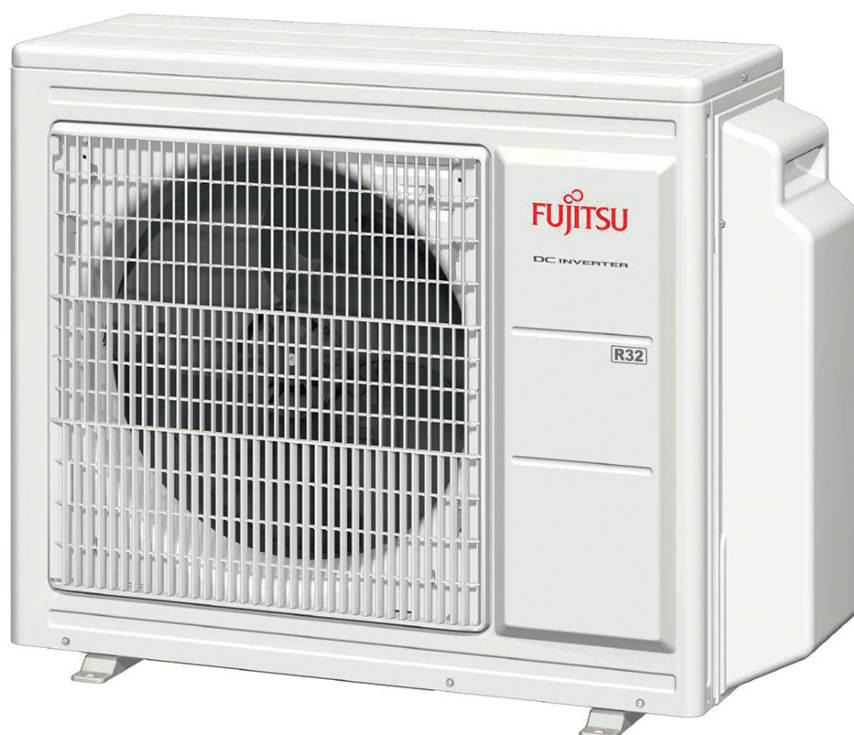


- Fujitsu
- Multi-split
- Outdoor unit
- R32



Inverter outdoor 3 rooms multi Fujitsu type AOYG KBTA3

Brand

- Fujitsu

Product

- 3-Room multi-split outdoor unit

Function

- Heatpump, inverter

Refrigerant

- R32

Features

- A+++ label
- Robust and compact
- High Efficiency DC Inverter Multi System
- Color, RAL 7044
- DC Twin Rotary Compressors
- Easy Installation and Maintenance
- 3-Bladed Rotary Fan
- Flexible installation, long piping of 50m totale (liquid)
- Admissible Range of outdoor temperature in heating: -15~24°C

Accessories

- Inox wall support.
Type **WBI 110**
- Metal wall support.
Type **WBA 60**
- Drain pan for wall support.
Type **CTS**
- Rubber mounting blocks.
Type **MPR 600**
- PVC mounting blocks.
Type **MPS 450**
- Masif mounting blocks anti-vibration.

Type **MPK 500**

■ Insulated copper pipes on roll.

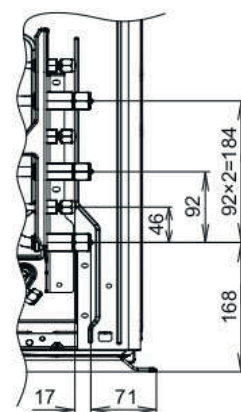
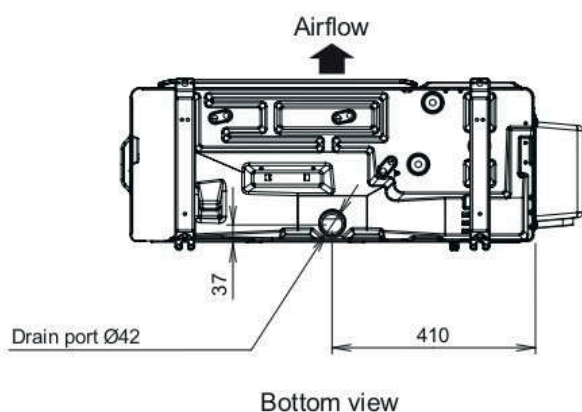
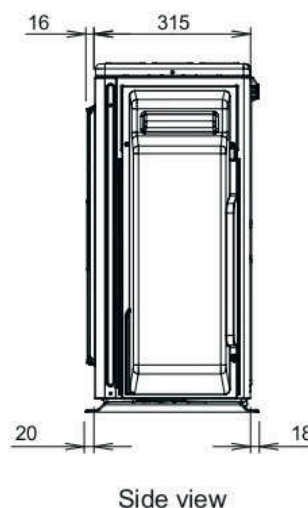
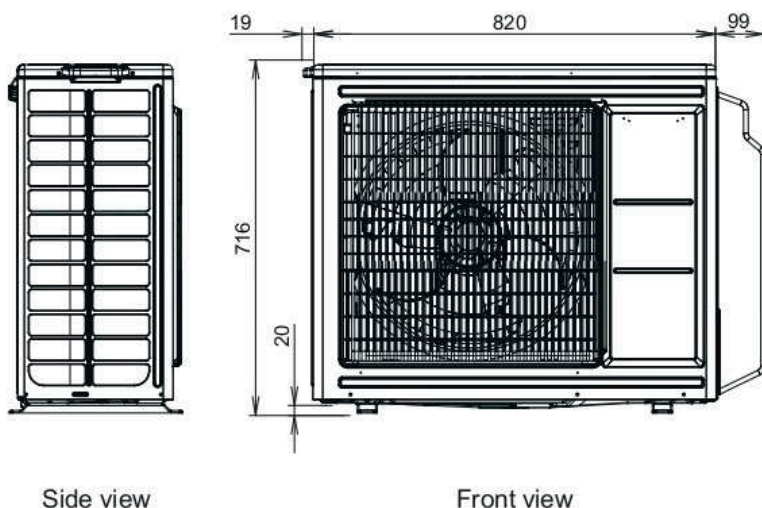
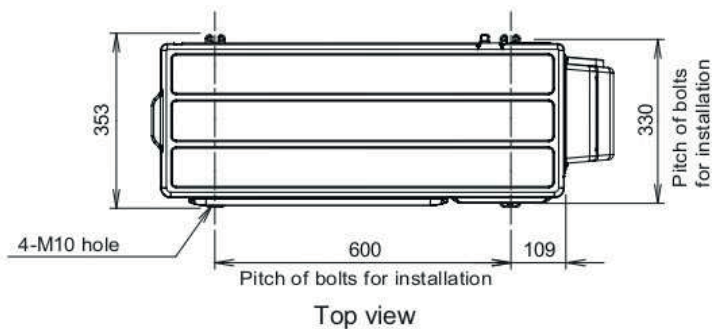
Type **P-COIL**

Model	Combination opportunities		
	Type toestel	AOYG 18 KBTA3	AOYG 24 KBTA3
Design wandmodellen	ASYG 07 KETA(B)	x	x
	ASYG 09 KETA(B)	x	x
	ASYG 12 KETA(B)	x	x
	ASYG 14 KETA(B)	x	x
Hoog rendement wandmodellen	ASYG 07 KGTB	x	x
	ASYG 09 KGTB	x	x
	ASYG 12 KGTB	x	x
	ASYG 14 KGTB	x	x
Wandmodellen	ASYG 07 KMCC	x	x
	ASYG 09 KMCC	x	x
	ASYG 12 KMCC	x	x
	ASYG 14 KMCC	x	x
	ASYG 18 KMTB		x
Cassette modellen	ALUXG 07 KVLA	x	x
	ALUXG 09 KVLA	x	x
	ALUXG 12 KVLA	x	x
	ALUXG 14 KVLA	x	x
	ALUXG 18 KVLA		x
Kanaalmodellen	ARXG 07 KSLAP	x	x
	ARXG 09 KSLAP	x	x
	ARXG 12 KSLAP	x	x
	ARXG 14 KSLAP	x	x
	ARXG 18 KSLAP		x
	ARXG 07 KLLAP	x	x
	ARXG 09 KLLAP	x	x
	ARXG 12 KLLAP	x	x
	ARXG 14 KLLAP	x	x
	ARXG 18 KLLAP		x
Vloermodellen	AGYG 09 KVCA	x	x
	AGYG 12 KVCA	x	x
	AGYG 14 KVCA	x	x
Vloer/plafondmodellen	ABYG 18 KRTA		x

Dimensions

AOYG18KBTA3 and AOYG24KBTA3

Unit: mm



System Layout

