

Accessories - Inlet Air Plenum Box type UTD-AFG 9

Product

- Air intake plenum box with access to filter of Fujitsu duct model

Function

- Inlet air plenum boxes

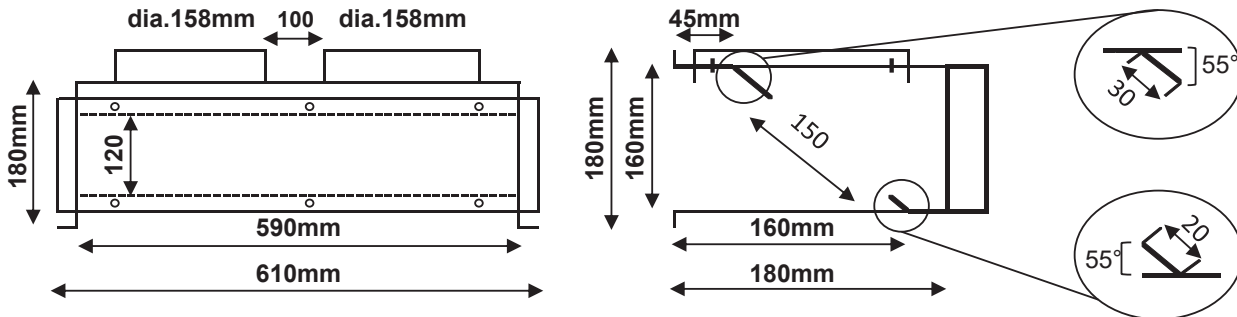
Applicable indoor units

- Type **ARYG 07/09/12/14 LLT**
- Type **ARXG 07/09/12/14 KLLAP**
- Type **ARXD 07/09/12/14 GLEH**

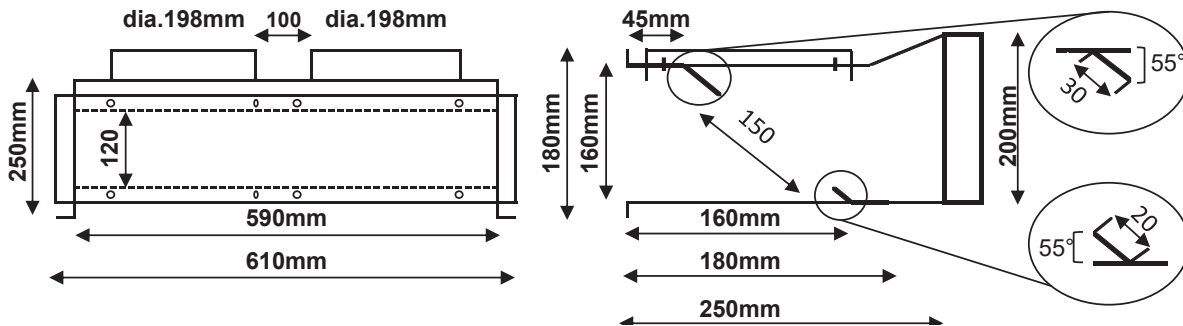
Features

- Galvanised plenum box with access to filter
- Srew connection of access plate
- 2 x dia.160 mm verbinding (UTD-AFGC)
- 2 x dia.200 mm verbinding (UTD-AFGD)
- 1 x dia.250 mm verbinding (UTD-AFGE)

UTD-AFGC9



UTD-AFGD9



UTD-AFGE9

