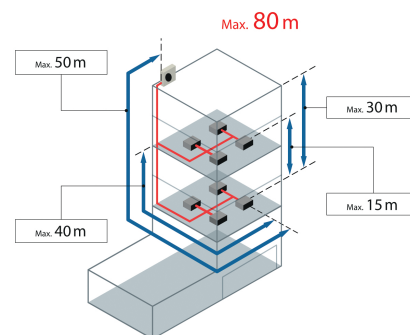




**AJY LCLBH (VRF  
J-IV S)**

- Fujitsu
- VRF Airstage
- 2 pipes compact
- Outdoor unit
- R410a



VRF J-IV S - Inverter outdoor units  
Fujitsu 1ph type AJY LCLBH (VRF J-IV S)

**Brand**

- Fujitsu

**Product**

- Outdoor Units VRF J-IV S serie

**Function**

- Heatpump or Only Cooling, inverter

**Refrigerant**

- R410A

**Applicable indoor units**

- Type ASYA GCGH
- Type ASYE GCEH
- Type ASYA GBCH
- Type ASYA GTEH
- Type AGYA GCGH
- Type AGYE GCEH
- Type ABYA GTEH
- Type ARXD GLEH
- Type ARXB GLEH
- Type ARXA GBLH
- Type ARXC GTEH (enkel type 36/45)
- Type ARXK GLGH
- Type AUXA GALH
- Type AUXB GLEH
- Type AUXD GLEH
- Type AUXM GLEH
- Type AUXK GLEH
- Type AUXV GLEH

**Accessories**

- Separation tubes. Type **UTP-AX090A**
- Collectors. Type **UTR-H0906L/UTR-H0908L**
- Mounting base in rubber. Type **MPR 1000**
- Masif mounting blocks anti-vibration. Type **MPK 1000** or **MPS 1000**
- Insulated copper pipes on roll. Type **S-coil** or **P-coil**

**Dimensions**

