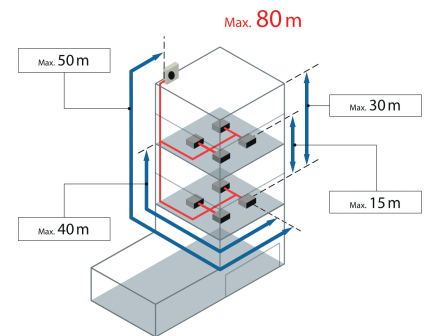


**AJY LCLDH (VRF
J-IV S)**

- Fujitsu
- VRF Airstage
- 2 pipes compact
- Outdoor unit
- R410a



VRF J-IV S - Inverter outdoor units
Fujitsu 1 ph type AJY LCLDH (VRF J-IV S)

Brand

- Fujitsu - Airstage

Product

- Outdoor Units VRF J-IV S serie

Function

- Heatpump or Only Cooling, inverter

Refrigerant

- R410A

Applicable indoor units

- Type **ASYA GCGH**
- Type **ASYE GCEH**
- Type **ASYA GBCH**
- Type **ASYA GTEH**
- Type **AGYA GCGH**
- Type **AGYE GCEH**
- Type **ABYA GTEH**
- Type **ARXD GLEH**
- Type **ARXB GLEH**
- Type **ARXA GBLH**
- Type **ARXC GTEH** (enkel type 36/45)
- Type **ARXK GLGH**
- Type **AUXA GALH**
- Type **AUXB GLEH**
- Type **AUXD GLEH**
- Type **AUXM GLEH**
- Type **AUXK GLEH**
- Type **AUXV GLEH**

Accessories

- Separation tubes. Type **UTP-AX090A**
- Collectors. Type **UTR-H0906L/UTR-H0908L**
- Mounting base in rubber. Type **MPRX 1000**
- Masif mounting blocks anti-vibration. Type **MPK 1000** or **MPS 1000**
- Insulated copper pipes on roll. Type **S-coil** or **P-coil**

Dimensions

