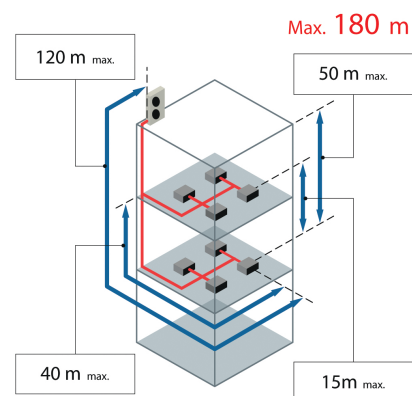




**AJY LELDH (VRF  
J-IV)**

- Fujitsu
- VRF Airstage
- 2 pipes compact
- Outdoor unit
- R410a



VRF J-IV - Inverter outdoor units Fujitsu  
3ph type AJY LELDH (VRF J-IV)

**Brand**

- Fujitsu - Airstage

**Product**

- Outdoor Units VRF J-IV serie

**Function**

- Heatpump or Only Cooling, inverter

**Refrigerant**

- R410A

**Applicable indoor units**

- Type **ASYA GCGH**
- Type **ASYE GCEH**
- Type **ASYA GBCH**
- Type **ASYA GTEH**
- Type **AGYA GCGH**
- Type **AGYE GCEH**
- Type **ABYA GTEH**
- Type **ARXD GLEH**
- Type **ARXB GLEH**
- Type **ARXA GBLH**
- Type **ARXC GTEH** (only type 36/45)
- Type **ARXK GLGH**
- Type **AUXA GALH**
- Type **AUXB GLEH**
- Type **AUXD GLEH**
- Type **AUXM GLEH**
- Type **AUXK GLEH**
- Type **AUXV GLEH**

Dimensions

