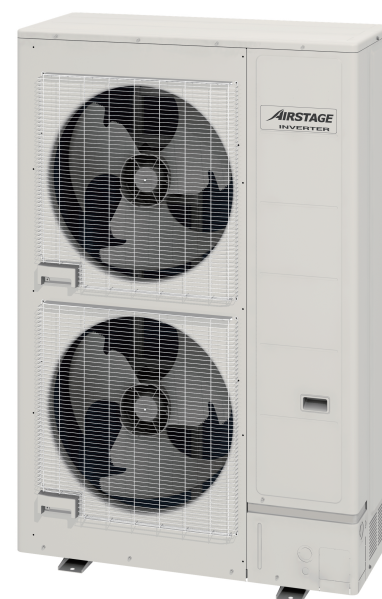
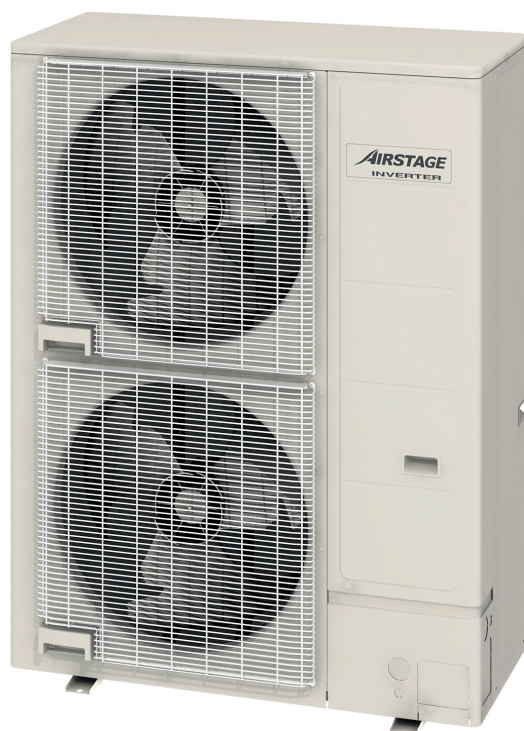


**AJY LELDH (VRF
J-IV L)**

- Fujitsu
- VRF Airstage
- 2 pipes
- Outdoor unit
- R410a



VRF J-IV L - Inverter outdoor units
Fujitsu 3ph type AJY LELDH (VRF J-IV L)

Brand

- Fujitsu - Airstage

Product

- Outdoor Units VRF J-IV L serie

Function

- Heatpump, inverter

Refrigerant

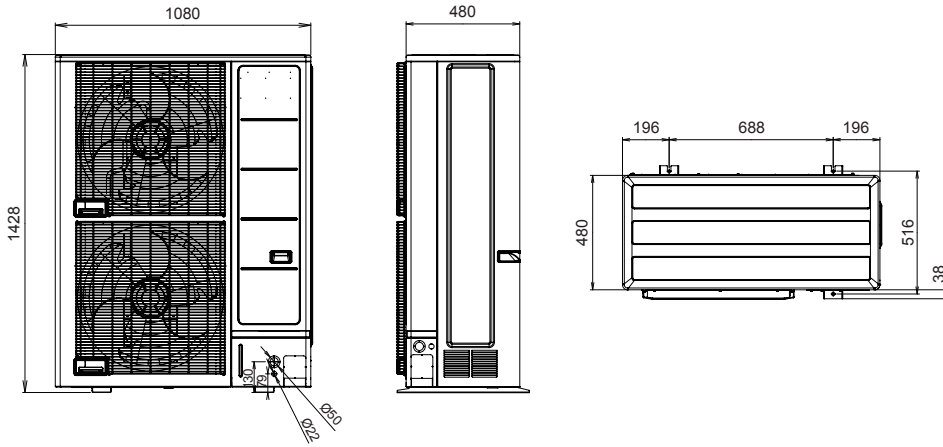
- R410A

Applicable indoor units

- Type **ASYA GCGH**
- Type **ASYE GCEH**
- Type **ASYA GBCH**
- Type **ASYA GTEH**
- Type **AGYA GCGH**
- Type **AGYE GCEH**
- Type **ABYA GTEH**
- Type **ARXD GLEH**
- Type **ARXB GLEH**
- Type **ARXA GBLH**
- Type **ARXC GTEH** (only type 36/45)
- Type **ARXK GLGH**
- Type **AUXA GALH**
- Type **AUXB GLEH**
- Type **AUXD GLEH**
- Type **AUXM GLEH**
- Type **AUXK GLEH**
- Type **AUXV GLEH**

Dimensions

AJY 072 / 090 / 108 LELAH



Dimensions

AJY 126 / 144 LELAH

