

- Fan Coils AC Fans
- Ventilclima
- High pressure Fans
- Horizontal (H) or vertical version (V)



Thin profile ductable fancoil units AC-motor type FRESH

Compact ductable fan coil units with AC-fan with high capacity and head pressure for cooling and/or heating with water in commercial or industrial projects.

Brand

- Ventilclima

Application

- For cooling and/or heating with water of commercial or industrial projects
- Suitable for false ceilings with limited installation height (model H)
- Horizontal version model H, vertical version model V

Composition

- Structure: galvanized steel sheet insulated in all parts in direct contact with the conditioned air
- Insulated condensate tray made of galvanised steel sheet
- Single skin
- Double inlet centrifugal fans with statically and dynamically balanced aluminum impellers
- Single-phase asynchronous electric motor with overload cutout and 6 speeds for AC motors
- The airfilter of polyester is enclosed (EU3)
- The heat exchanger are made of copper pipes expanded in aluminum fins, with male fittings and easily accessible air vents, connection left or right following demand
- Also available ECM model with EC motor

Options

- 2 or 4 pipes
- Vertical or horizontal
- Left or right hydraulic connection
- SDP (Power interface card) installed as standard on FRESH from size 4 to 7
- With or without pre-painted sheet external panels
- Available with EC motor (FRESH-ECM)

Accessories

- SDP power chart, type **SDP (fitted as standard on the FRESH 4 to 7, should be fitted separately with FRESH 1 to 3 in combination with the thermostats below)**
- **SDI-V module** to place up to 4 x FRESH on 1 control (for units with an SDP module this is already possible as standard and you no longer need the SDI-V)
- **Thermostats for FRESH with AC-fans: i-Basic 1, i-Basic 2, i-Basic 3, i-Digit, I-30, I-50, I-60 and I-70**
- Intake plenum, type **FRESH-AIP**
- Supply plenum, type **FRESH-ASP**
- On/off or modulating motor 230 or 24V
- Condensate pump, type **FRESH-CP**
- 2 way valves, type **FRESH-2WV**, or 3 way valves, type **FRESH-3WV**

- Extra drip tray, type **FRESH-DT**
- Replacement filter G3, type **FRESH-G3**
- Electrical heating element (on demand)
- 6 row battery (on demand)

Other available products

- Version with double skin on demand

Order example

FRESH-H-1/L/2P

Explanation

FRESH-H = Horizontal fan coil unit with AC fan

1 = Size, see table

L = Left hydraulic connection

2P = 2 pipes

Text for tender

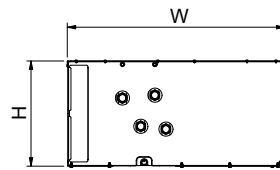
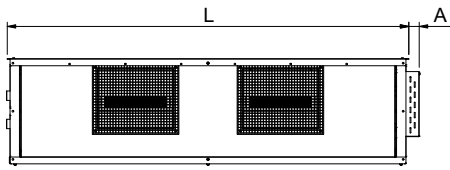
Basic unit, EUROVENT certificated, made of galvanized steel (prepared following Zendzimir method).

The unit includes motor and fan, cool -and/or heating coil, filter, main condensate tray and electrical connection. All parts in contact with conditioned air are insulated. Total insulated main driptray with condensate connection. Side panels provided of knock-out system for quick and easy connecting of accessories. On the back provided of small opening for easy installation of the units.

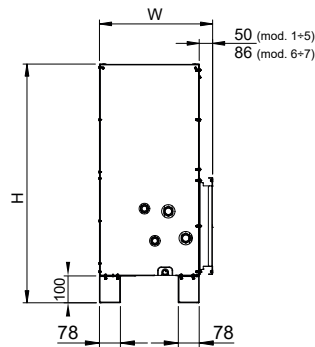
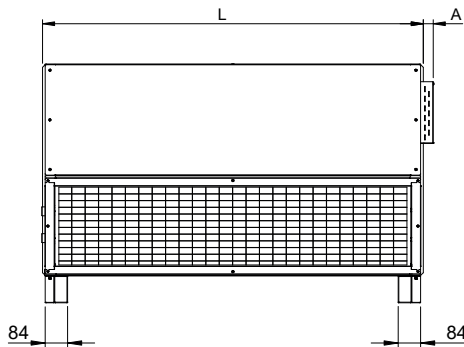
The coils are made of copper tubes and alu fins, provided of a male connection (GAS) and an air nipple. Water connection are left or right and easy be changed on site. The fans are depending of the size made of different quantities of turbines. The total of the fan deck (motor and turbine) is dynamic balanced to avoid noise and are low in consumption. De motors are totally closed, split-condensator type including an overheating safety. Single phase 230 V / 50 Hz AC motor. The standard filter of polyester with metal frame is EU3.

Specifications												
2 PIPES (4R)												
Cooling capacity ¹												
Speed	Total cooling capacity [W]			Sensible cooling capacity [W]			Water flow [l/h]			Water pressure drop [kPa]		
	2	3	4	2	3	4	2	3	4	2	3	4
FRESH-1	2581	2785	2856	1926	2092	2147	457	493	506	8.3	9.2	9.9
FRESH-2	5618	5924	6058	4048	4284	4388	988	1041	1065	12.8	14.1	14.6
FRESH-3	6966	7825	9016	4926	5585	6506	1229	1380	1590	11.8	14.5	18.6
FRESH-4	9140	11274	12010	6490	8144	8720	1614	1994	2127	12.4	18	20.2
FRESH-5	13329	15131	16014	9649	11081	11784	2373	2695	2859	16.8	21	22.8
FRESH-6	17979	22568	24480	13039	16688	18260	3182	4003	4348	12.1	18.2	21.1
FRESH-7	24818	27851	29589	18308	20801	22249	4430	4976	5298	22.8	22.8	32
Heating capacity ²												
Speed	Total heating capacity [W]			Water flow [l/h]			Water pressure drop [kPa]					
	2	3	4	2	3	4	2	3	4			
FRESH-1	2700	2900	2980	470	506	519	7	8.4	9			
FRESH-2	6050	6410	6570	1054	1116	1144	11.9	13.2	13.8			
FRESH-3	7350	8310	9630	1280	1447	1686	10.5	13.1	17			
FRESH-4	9740	12240	13140	1696	2131	2289	11.1	17	18.9			
FRESH-5	14640	16840	-	2550	2934	3132	15.8	20.2	22.6			
FRESH-6	19840	25540	28020	3454	4449	4881	11.6	18.1	21.3			
FRESH-7	27930	31820	34170	4865	5544	5952	22.7	28.6	32.4			
Heating capacity ³												
Speed	Total heating capacity [W]			Water flow [l/h]			Water pressure drop [kPa]					
	2	3	4	2	3	4	2	3	4			
FRESH-1	3240	3480	3570	457	493	506	6.7	7.9	8.3			
FRESH-2	7220	7640	7830	988	1041	1065	10.4	11.5	11.9			
FRESH-3	8790	9930	11560	1229	1380	1590	9.6	11.8	15.2			
FRESH-4	11640	14600	15660	1614	1994	2127	10.1	14.6	16.4			
FRESH-5	17440	20030	21370	2372	2695	2859	13.6	17.1	18.9			
FRESH-6	23620	30310	33210	3182	4003	4348	9.9	14.8	17.1			
FRESH-7	33190	37740	40470	4430	4976	5298	18.9	23.2	25.9			
Speed	Air flow [m³/h]			Static pressure [Pa]			Sound power level inlet [dB(A)]			Sound power level outlet [dB(A)]		
	2	3	4	2	3	4	2	3	4	2	3	4
FRESH-1	381	469	484	39	46	50	56	59	60	55	58	59
FRESH-2	939	1007	1039	44	50	55	67	67	68	64	64	65
FRESH-3	1092	1267	1528	37	50	73	55	59	63	57	60	66
FRESH-4	1470	1946	2128	50	88	106	58	64	68	59	66	70
FRESH-5	2349	2806	3052	50	72	86	67	70	73	66	71	75
FRESH-6	3161	4357	4916	26	50	63	61	69	72	61	70	74
FRESH-7	4776	5668	6232	50	72	86	70	74	76	69	75	78

FRESH-H



FRESH-V



	Dimensions			
	L [mm]	H [mm]	W [mm]	A [mm]
FRESH-H-1	770	297	643	38
FRESH-H-2	1070	297	643	38
FRESH-H-3	1270	347	643	38
FRESH-H-4	1420	372	770	38
FRESH-H-5	1520	397	770	38
FRESH-H-6	2190	373	770	38
FRESH-H-7	2190	398	770	38
FRESH-V-1	770	740	347	38
FRESH-V-2	1070	740	347	38
FRESH-V-3	1270	815	397	38
FRESH-V-4	1420	890	422	38
FRESH-V-5	1520	915	447	38
FRESH-V-6	2190	891	459	38
FRESH-V-7	2190	916	484	38