



Cassette units 900 x 900 mm AC-motors type LIGHT-900x900

EUROVENT certified fan coil; cassette unit for ceiling mounting 900 x 900 mm, for cooling and/or heating of water

Brand

- Ventilclima

Application

- For cooling and/or heating by water of hotels, shops, offices,...

Composition

- Galvanised steel, with thermo-acoustic isolation
- Hooks in corners for easy mounting in ceiling
- Condensate pump
- One phase electrical motor with overload cutout, 3 speeds
- Air filter is attached on the inside of the louvre
- The exchangers are made of copper tubes with female fittings
- **Also available model ECM with EC-fan**

Options

Louvre/valves/controller have to be ordered separately

- 2 or 4 pipes
- With infrared controller or wall mounted controller
- Premounted internal valves
- ON/OFF or modulating motor 230 or 24V
- Electrical resistance
- AC motor standard
- Input of fresh air
- Available with EC motor on request

Accessories

- Decoration panel, type **LIGHT-PANEL-900x900**: to be ordered separately!
 - In metal (MET) or plastic (ABS)
 - Fixed (F) louvers
 - Thermostat (NC) or infrared controller (RC)
- Thermostat, type **I-10 / I-50** (to be ordered separately)
- Infrared controller, type **LIGHT-IR**
- **Auxiliary drain pan always supplied included (not installed)**

Order example

LIGHT-93-RC/NC

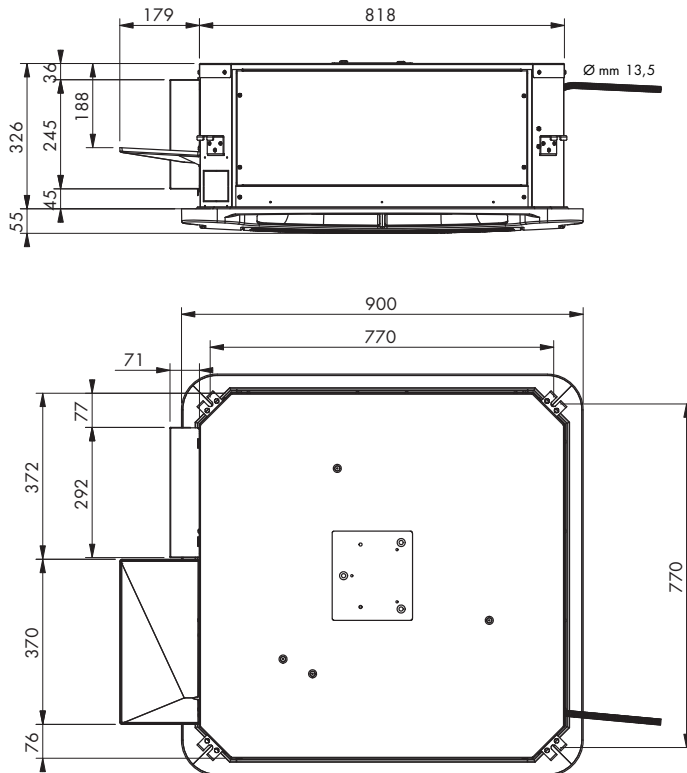
Explanation

LIGHT = Cassette with AC motor

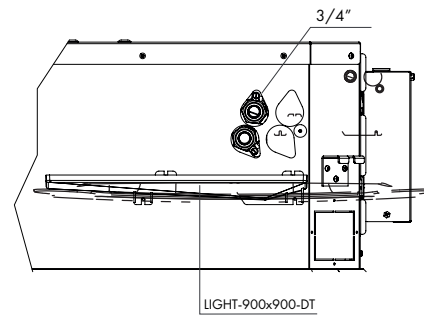
93 = Size

RC = With infrared controller

NC = Wall thermostat



2 PIPE SYSTEM



4 PIPE SYSTEM

