



CFMA feet kit type CFMA-FK (SET)

Feet adjustable in height. Delivered with anti-vibrating pads, thus eliminating all vibrations to the roof.
The central opening is fitted for mounting rails of 41x41 mm or 40x40 mm.

Application

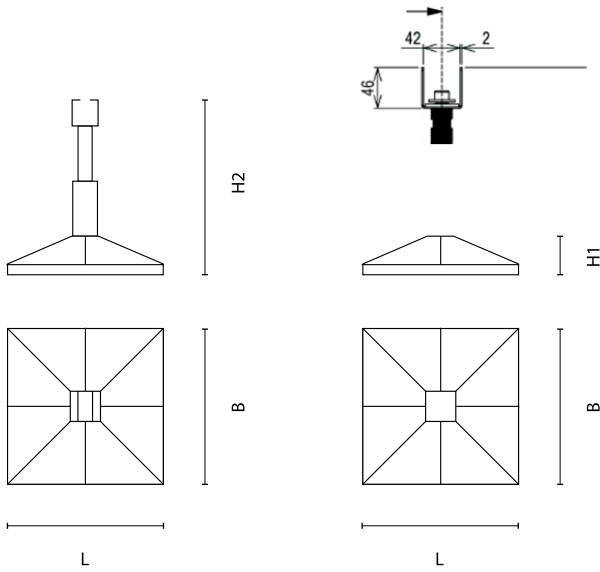
- VRF outdoor units
- Chillers
- Air handling units

Composition

- High impact material - Glass Reinforced
- Foot 300 x 300 mm, equipped with antivibration rubber mat
- UV resistant
- Color: black

Specifications

- Adjustable height: 228 - 353 mm
- Max load per feet: 300 kg



CFMA-FK	Dimensions				Max. weight [Kg] per feet
	L mm	W mm	H1 mm	H2 mm	
	300	300	85	228 / 353	300