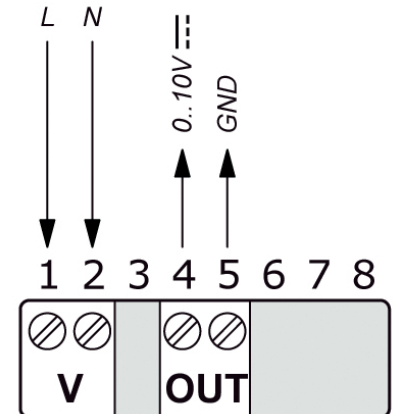


- Sensors
- Humidity sensor



110-240 V~
50/60 Hz



Room humidity controller with 0-10V output signal type ALH230A

The ALH230A is a stand-alone unit containing both a humidity sensor and a controller.

This enables you to save on component costs, resulting in a cheaper, easier installation.

Brand

- Regin

Application

- Regulation of fans and dampers with a 0-10V input signal
- Ideal for zone regulation & VAV dampers

Specifications

- Combined humidity sensor

Mounting

- Wall mounting

Technical data

- Supply voltage: 110-240V AC, 50/60 Hz
- Power consumption: Max. 0.46W
- Protection class: IP30
- Ambient temperature: 0-50°C
- Ambient humidity: 10-90% RH
- Outputs: 1 analogue output 0-10V
- Dimensions (WxHxD): 85 x 100 x 30.5 mm