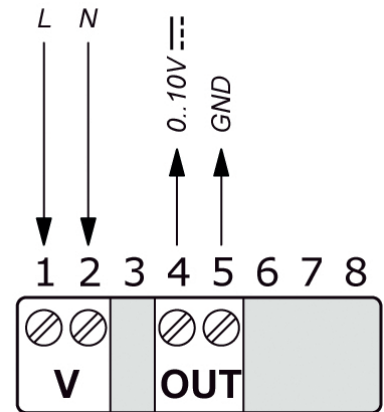


- Sensors
- Temperature and CO<sub>2</sub> sensor



110-240 V~  
50/60 Hz



## Room temperature and CO<sub>2</sub> controller type ALC230A

The ALC230A is a combined temperature and CO<sub>2</sub> sensor with integrated controller.

### Brand

- Regin

### Application

- EC fans and dampers with 0-10V input
- Ideal for zone regulation & VAV dampers

### Specifications

- Temperature sensor and controller
- Adjustable setpoint, I-time and P-band
- Suitable for heating or cooling
- Discreet, stylish design suitable for all indoor environments

### Mounting

- Wall mounting

### Technical data

- Supply voltage: 110-240V AC, 50/60Hz
- Power consumption: Max. 0,46 W
- Protection class: IP30
- Ambient temperature: 0-50°C
- Ambient humidity: 10-90% RH
- Working range: 0-2000 ppm
- Output: 1 analog output 0-10V
- Dimensions (WxHxD): 88 x 100 x 30,5 mm