

- Aerulic
- Actuator 5 Nm
- On-off
- Dampers



Actuators 5Nm type LM A-(S)

Servomotors for air volume control dampers of up to 1 m² depending on the type of air valve and the pressure on the valves. Simple direct mounting on the damper axe with a universal spindle clamp, supplied with an anti-rotation strap to prevent the actuator from rotating.

Type S: with integrated 0-100% auxiliary switch, for adjustable signalization.

Brand

- Belimo

Application

- Dampers

Specifications

- Torque 5 Nm
- Nominal voltage **LM 230A-(S)** 230 V AC
- Nominal voltage **LM 24A-(S)** 24V AC/DC
- Control: open-close or 3-point
- Auxiliary switch: 1 x SPDT, 1 mA 3 (0,5) A, AC 250 V (0-100% adjustable)

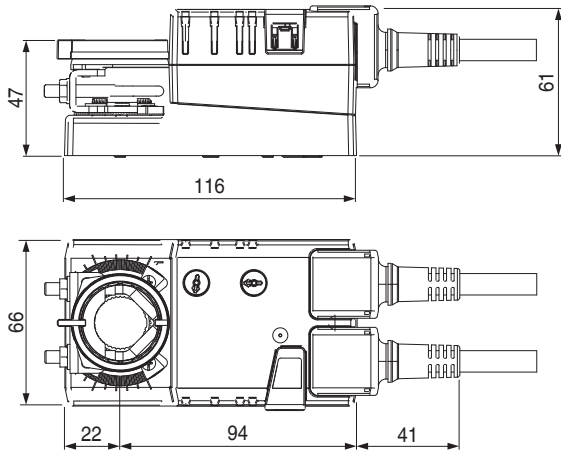
Accessoires

- Auxiliary switches, type **S1A** (1) or **S2A** (2)
- Shaft extension, type **AV8-25**

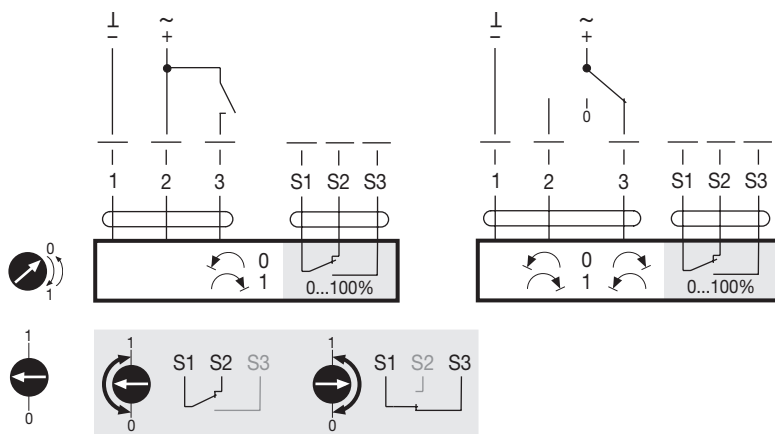
Technical data

- Power consumption:
 1. In operation: 1,5 W @ nominal torque **LM 230A-(S)** / 1 W @ nominal torque **LM 24A-(S)**
 2. At rest: 0.4 W **LM 230A-(S)** / 0.2 W **LM 24A-(S)**
 3. For wire sizing: 4 VA **LM 230A-(S)** / 2VA **LM 24A-(S)**
- Direction of rotation: reversible with switch 0 or 1
- Manual override: gearing latch disengaged with pushbutton, self-resetting
- Angle of rotation: max. 95°, limited on both sides by means of adjustable, mechanical end stops. The actuator is overload proof; requires no limit switches and automatically stops when the end stop is reached
- Running time: 150 s
- Sound power level: max. 35 dB (A)

- Position indication: mechanical, pluggable
- Degree of protection: IP54 in any mounting position



Electrical diagram



Text for tender

- The servomotor shall be of the open-close type with a torque of 5 Nm for direct mounting on the damper axe. With integrated 0-100% auxiliary switch (**Type S**), with reversible direction of rotation, angle max 95° with mechanical end stops. Protection class II totally insulated, IP 54 in any mounting position EMC: CE according to 89/336/EEC.