



## Actuators 20Nm type SM A-(S)

Servomotor for air volume control dampers of up to 4 m<sup>2</sup> depending on the type of air valve and the pressure on the valves. Simple direct mounting on the damper axe with a universal spindle clamp, supplied with an anti-rotation strap to prevent the actuator from rotating. **Type S** : With integrated 0-100% auxiliary switch for adjustable signalization.

### Brand

- Belimo

### Application

- Dampers

### Specifications

- Torque 20 Nm
- Nominal Voltage **SM 230A-(S)** 230 V AC
- Nominal Voltage **SM 24A-(S)** 24 V AC/DC
- Control : open-close or 3-point
- Auxiliary switch: 1 x SPDT, 1 mA ... 3 (0,5) A, AC 250 V (0-100% adjustable)

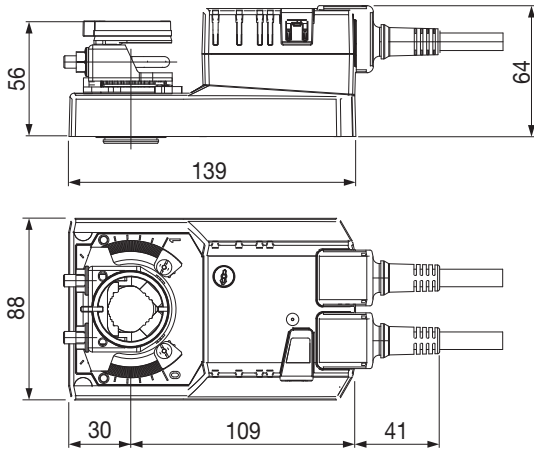
### Accessoires

- Auxiliary switches, type **S1A** (1) or **S2A** (2)
- Shaft extension, type **AV8-25**

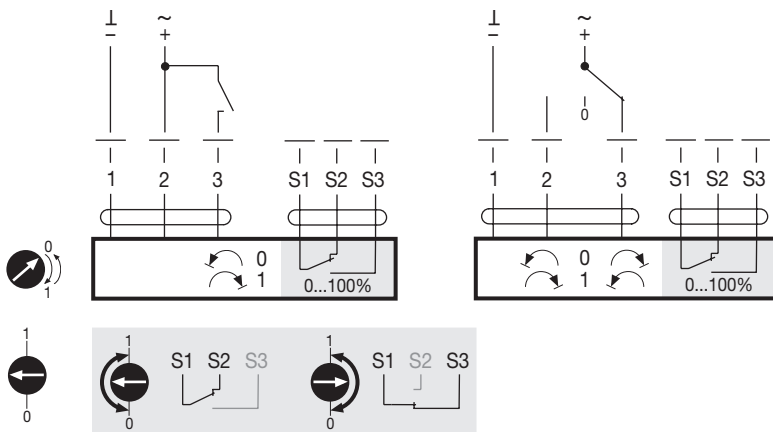
### Technical data

- Power consumption:
  1. In operation: 2,5W @ nominal torque **SM 230A-(S)** / 2W @ nominal torque **SM 24A-(S)**
  2. At rest: 0.6W **SM 230A-(S)** / 0.2W **SM 24A-(S)**
  3. For wire sizing: 6 VA **SM 230A-(S)** / 4 VA **SM 24A-(S)**
- Direction of rotation: reversible with switch 0 or 1
- Manual override: gearing latch disengaged with pushbutton, self-resetting
- Angle of rotation: max. 95° , limited on both sides by means of adjustable, mechanical end stops. The actuator is overload proof; requires no limit switches and automatically stops when the end stop is reached
- Running time: 150 s
- Sound power level: max. 45 dB (A)

- Position indication: mechanical, pluggable
- Protection: IP54 in any mounting position



### Electrical diagram



### Text for tender

- The servomotor shall be of the open-close type with a torque of 20 Nm for direct mounting on the damper axe. With integrated 0-100% auxiliary switch (**Type S**). With reversible direction of rotation, angle max 95° with mechanical end stops. Protection class II totally insulated, IP 54 in any mounting position EMC: CE according to 89/336/EEC.