



## Remote controls 24V/0-10V type CRP24-B1

Positioner for surface mounting, suitable for modulating servomotors LM..A-SR, NM..A-SR, SM..A-SR and GM..A-SR

### Brand

- Belimo

### Application

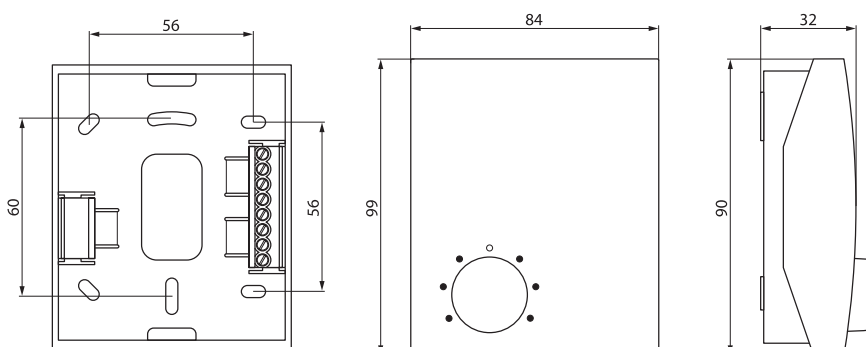
- Proportional control of servomotors

### Specifications

- Nominal voltage: 24 V AC/DC
- 1x Digital input
- 1x Analog output 0-10V, max. 1mA
- Color: RAL 9003

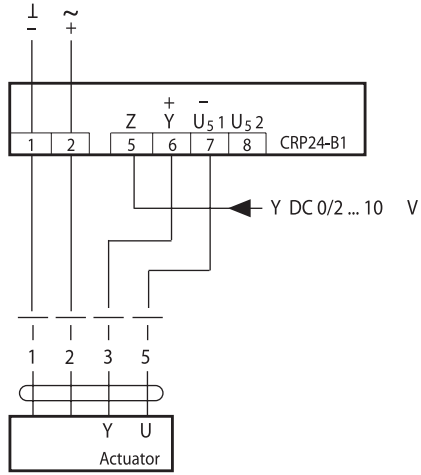
### Technical data

- Power consumption 0,3 W
- For wire sizing 1 VA
- IP 40

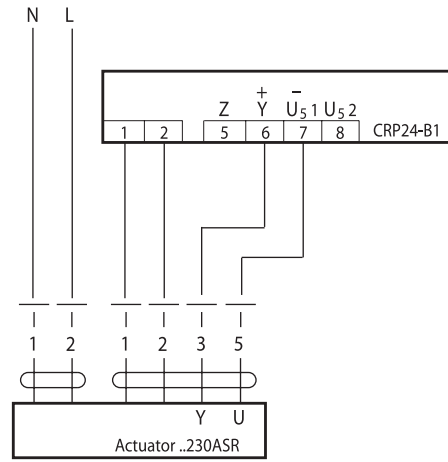


### Wiring diagram

Minimum limit



Connection to ..M230ASR



Y= Input 0-10V  
U= Output