

- Aerulic
- Actuator 10 Nm
- On-off
- Dampers



Actuators 10Nm type NM A-(S)

Servomotor for air volume control dampers of up to 2 m² depending on the type of air valve and the pressure on the valves. Simple direct mounting on the damper axle with a universal spindle clamp, supplied with an anti-rotation strap to prevent the actuator from rotating.

Type S: with integrated 0-100% auxiliary switch, for adjustable signalization.

Brand

- Belimo

Application

- Dampers

Specifications

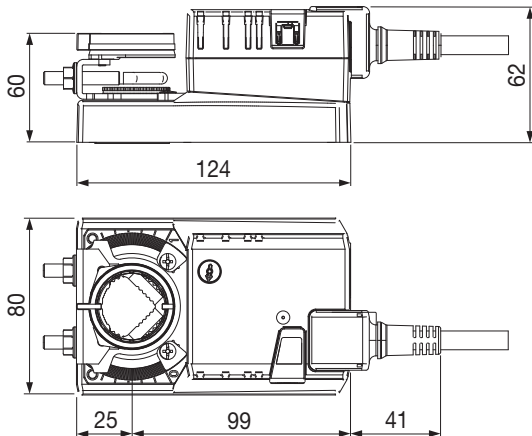
- Torque 10 Nm
- Nominal Voltage **NM 230A-(S)** 230 V AC
- Nominal voltage **NM 24A-(S)** 24 V AC/DC
- Control: open-close or 3-point

Accessoires

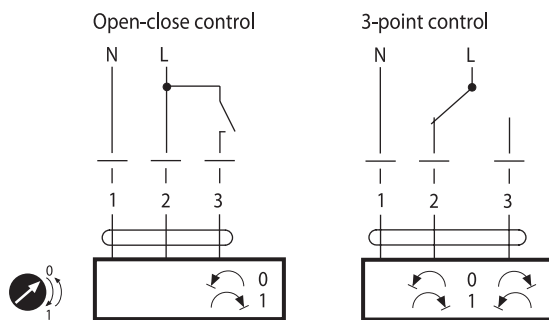
- Auxiliary switches, type **S1A** (1) or **S2A** (2)
- Shaft extension, type **AV8-25**

Technical data

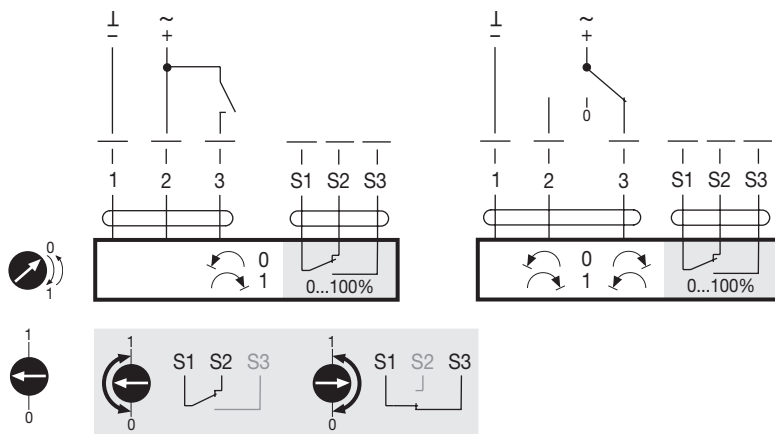
- Power consumption:
 1. In operation: 2,5 W @ nominal torque **NM 230A-(S)** / 1,5 W @ nominal torque **NM 24A-(S)**
 2. At rest: 0.6 W **NM 230A-(S)** / 0.2 W **NM 24A-(S)**
 3. For wire sizing: 6 VA **NM 230A-(S)** / 4 VA **NM 24A-(S)**
- Direction of rotation: reversible with switch 0 or 1
- Manual override: gearing latch disengaged with pushbutton, self-resetting
- Angle of rotation: max. 95°, limited on both sides by means of adjustable, mechanical end stops. The actuator is overload proof; requires no limit switches and automatically stops when the end stop is reached
- Running time: 150 s
- Sound power level: max. 35 dB (A)
- Position indication: mechanical, pluggable
- Degree of protection: IP54 in any mounting position



Wiring diagram



Electrical diagram



Text for tender

- The servomotor shall be of the open-close type with a torque of 10 Nm for direct mounting on the damper axle. With integrated 0-100% auxiliary switch (**Type S**). With reversible direction of rotation, angle max 95° with mechanical end stops. Protection class II totally insulated, IP 54 in any mounting position EMC: CE according to 89/336/EEC and LVD 73/23/EEC.