

- Aeraulic
- Actuator 10 Nm
- Proportional
- Dampers



## Actuators 10Nm modulating 0-10V type NM A-SR

Damper actuator for air volume control dampers of up to 2 m<sup>2</sup> depending on the type of air valve and the pressure on the valves. Simple direct mounting on the damper axle with a universal spindle clamp, supplied with an anti-rotation strap to prevent the actuator from rotating.

### Brand

- Belimo

### Application

- Dampers

### Specifications

- Torque 10 Nm
- Nominal Voltage AC/DC 24 V or 230V AC
- Control: modulating standard control signal DC 0-10 V, position feedback DC 2-10 V. The measuring voltage U allows the damper position (0-100%) to be electrically indicated and serves as a follow-up control signal for other actuators

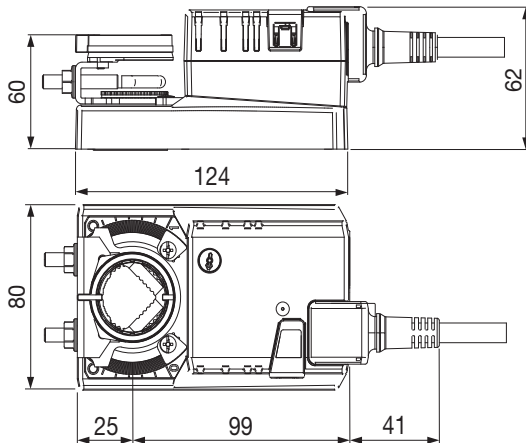
### Accessoires

- Auxiliary switches, type **S1A** (1) or **S2A** (2)
- Positioners, type **SGA24 / SGF24**
- Shaft extensions, type **AV8-25**

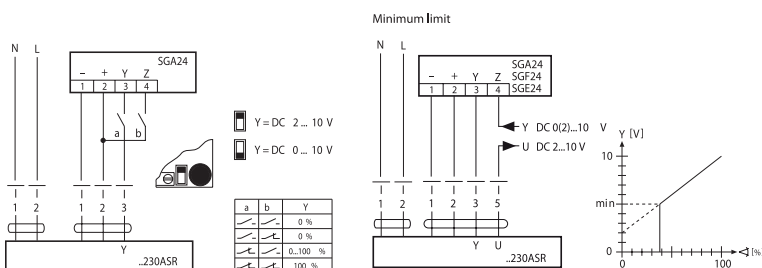
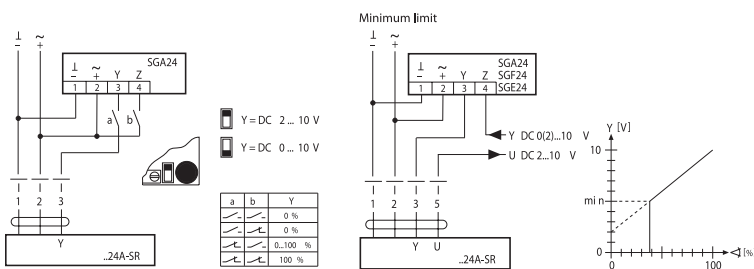
### Technical data

- Power consumption:
  1. In operation: 2 W @ nominal torque
  2. At rest: 0.4 W
  3. For wire sizing: 4 VA
- Control:
  1. Control signal Y: DC 0-10 V, typical input impedance 100 kΩ
  2. Working range: DC 2-10 V
- Position feedback (Measuring voltage): DC 2-10 V, max. 1 mA
- Position accuracy: +/- 5%
- Direction of rotation: reversible with switch 0 / 1
- Direction of rotation at Y = 0 V: at switch position 0 resp. 1
- Manual override: gearing latch disengaged with pushbutton, self-resetting

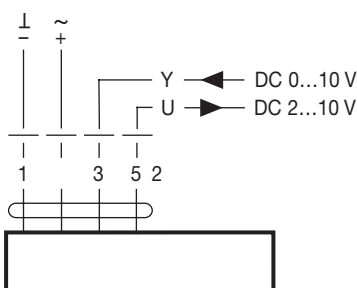
- Angle of rotation: max. 95°, limited on both sides by means of adjustable, mechanical end stops. The actuator is overload proof; requires no limit switches and automatically stops when the end stop is reached
- Running time: 150 s
- Sound power level: max. 35 dB (A)
- Degree of protection: IP54 in any mounting position



### Wiring diagram



### Electrical diagram



### Text for tender

- The damper actuator shall be of the modulating type with signal 0-10 V with torque of 10 Nm for direct mounting on the damper axle. 24V with reversible direction of rotation, angle max 95° with mechanical end stops. Protection class III safety extra-low voltage, IP 54 in any mounting position EMC: CE according to 89/336/EEC.