

- Aeraulic
- Actuator 40 Nm
- On-off
- Dampers



Actuators 40Nm type GM A

Servomotor for air volume control dampers of up to 8 m² depending on the type of air valve and the pressure on the valves. Simple direct mounting on the damper axe with a universal spindle clamp, supplied with an anti-rotation strap to prevent the actuator from rotating.

Brand

- Belimo

Application

- Dampers

Specifications

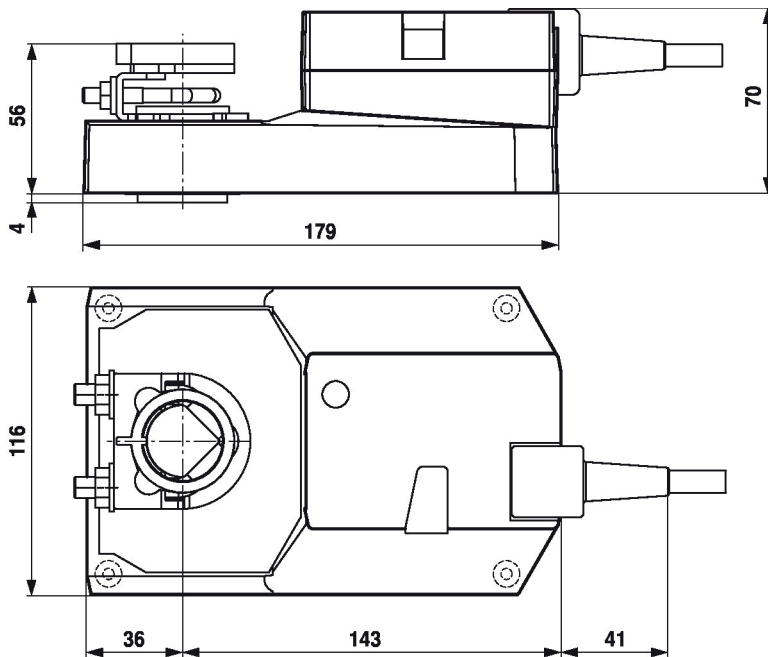
- Torque 40 Nm
- Nominal Voltage **GM 230A** 230 V AC
- Nominal Voltage **GM 24A** 24 V AC/DC
- Control: open-close

Accessoires

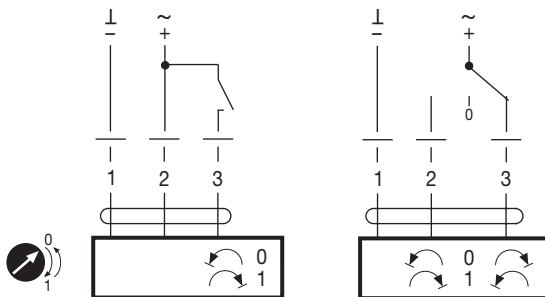
- Auxiliary switches, type **S1A** (1) or **S2A** (2)
- Shaft extension, type **AV8-25**

Technical data

- Power consumption:
 1. In operation: 5 W @ nominal torque **GM 230A** / 4 W @ nominal torque **GM 24A**
 2. At rest: 2 W **GM 230A** / 2 W **GM 24A**
 3. For wire sizing: 9 VA **GM 230A** / 6 VA **GM 24A**
- Direction of rotation: reversible with switch 0 or 1
- Manual override: gearing latch disengaged with pushbutton, self-resetting
- Angle of rotation: max. 95°, limited on both sides by means of adjustable, mechanical end stops. The actuator is overload proof; requires no limit switches and automatically stops when the end stop is reached
- Running time: 150 s
- Sound power level: max. 45 dB (A)
- Position indication: mechanical, pluggable
- Degree of protection: IP54 in any mounting position



Electrical diagram



Text for tender

- The servomotor shall be of the open-close type with a torque of 40 Nm for direct mounting on the damper axle. With reversible direction of rotation, angle max 95° with mechanical end stops. Protection class II totally insulated, IP 54 in any mounting position EMC: CE according to 89/336/EEC and LVD 73/23/EEC