

- Aeraulic
- Actuator 4 Nm
- On-off
- Safety dampers



## Actuators with spring reset 4Nm type LF-(S)

Servomotors with spring return for air volume safety dampers of up to 0,8 m<sup>2</sup> depending on the type of air valve and the pressure on the valves. Simple direct mounting on the damper axle with a universal spindle clamp, supplied with an anti-rotation strap to prevent the actuator from rotating.

**Type S:** With integrated 0-100% auxiliary switch for adjustable signalization.

### Brand

- Belimo

### Application

- Safety dampers

### Specifications

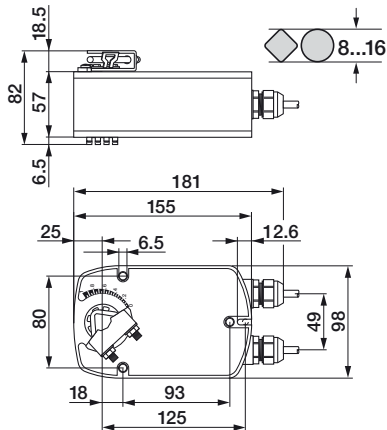
- Torque 4 Nm
- Nominal Voltage **LF 230-(S)** 230 V AC
- Nominal Voltage **LF 24-(S)** 24 V AC/DC
- Control: open-close with spring return
- Auxiliary switch: 1 x SPDT, 1 mA ... 6 (1,5) A, AC 250 V (0-100% adjustable)

### Accessoires

- Clips for axle diameter 16 - 20 mm, type **K6-1**

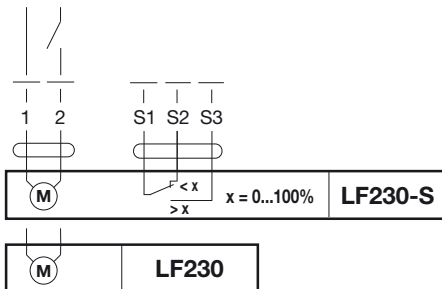
### Technical data

- Power consumption:
  1. In operation: 5 W @ nominal torque **LF 230-(S)** / 5 W @ nominal torque **LF 24-(S)**
  2. At rest: 3 W **LF 230-(S)** / 2,5 W **LF 24-(S)**
  3. For wire sizing: 7 VA **LF 230-(S)** / 7 VA **LF 24-(S)**
- Direction of rotation: reversible by mounting
- Angle of rotation: max. 95° , limited on both sides by means of adjustable, mechanical end stops. The actuator is overload proof; requires no limit switches and automatically stops when the end stop is reached
- Running time motor : 40 - 75 s
- Running time spring return : 20 s
- Sound power level: max. 62 dB (A)
- Degree of protection: IP54 in any mounting position



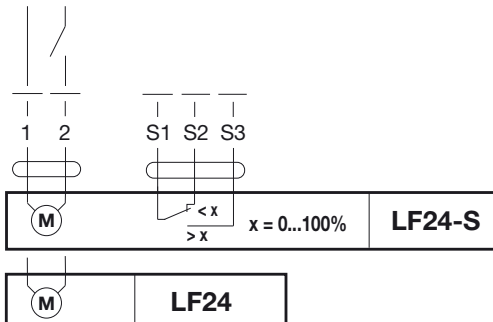
### Wiring diagram

N L1 AC 230 V



### Electrical diagram

⊥ ~ AC 24 V  
- + DC 24 V



### Text for tender

- The servomotor shall be of the open-close type with spring return and with a torque of 4 Nm for direct mounting on the damper axis. With integrated 0-100% auxiliary switch (**Type S**). Angle max 95° with mechanical end stops. Protection class II totally insulated, IP 54 in any mounting position EMC: CE according to 89/336/EEC