

- Aeraulic
- Actuator 10 Nm - 2m²
- Proportional
- Safety dampers



Actuators with spring reset 10Nm modulating 0-10V type NF 24A-SR

Servomotor with spring return for air volume safety dampers of up to 2 m² depending on the type of air valve and the pressure on the valves. Simple direct mounting on the damper axle with a universal spindle clamp, supplied with an anti-rotation strap to prevent the actuator from rotating.

Brand

- Belimo

Application

- Safety dampers

Specifications

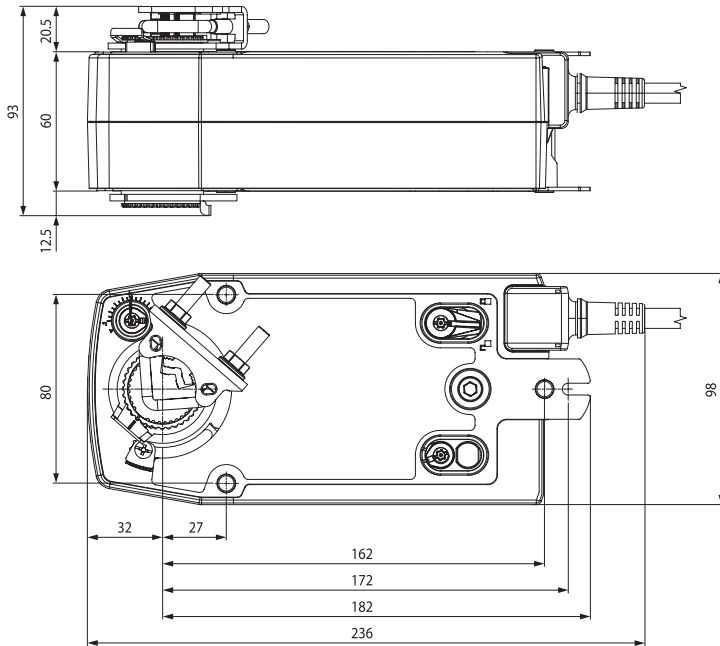
- Torque 10 Nm
- Nominal Voltage 24 V AC / DC
- Control: modulating standard control signal DC 0-10 V, position feedback DC 2-10 V. The measuring voltage U allows the damper position (0-100%) to be electrically indicated and serves as a follow-up control signal for other actuators

Accessoires

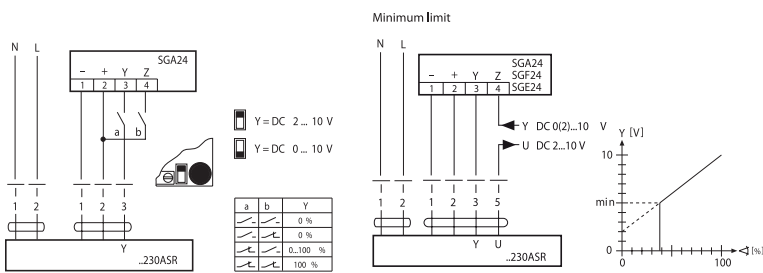
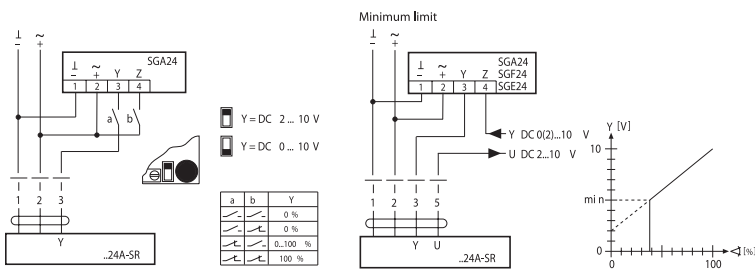
- Positioners, type **SGA24 / SGF24**

Technical data

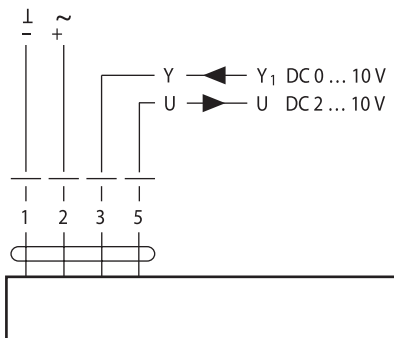
- Power consumption:
 1. In operation: 3.5 W @ nominal torque
 2. At rest: 2.5 W
 3. For wire sizing: 5.5 VA
- Control:
 1. Control signal Y: DC 0-10 V, typical input impedance 100 kΩ
 2. Working range: DC 2-10 V
- Position feedback (Measuring voltage): DC 2-10 V, max. 0.5 mA
- Position accuracy: +/- 5%
- Direction of rotation: reversible by mounting
- Direction of rotation at Y = 0 V: at switch position 0 resp. 1
- Angle of rotation: max. 95°, limited on both sides by means of adjustable, mechanical end stops. The actuator is overload proof; requires no limit switches and automatically stops when the end stop is reached
- Running time motor : < 150 s
- Running time spring return : < 20 s
- Sound power level: max. 62 dB (A)
- Degree of protection: IP54 in any mounting position



Wiring diagram



Electrical diagram



1: black
2: red
3: white
5: orange

Text for tender

- The servomotor shall be of the modulating with spring return type with signal 0-10 V with torque of 10 Nm for direct mounting on the damper axe. 24V, angle max 95° with mechanical end stops. Protection class III safety extra-low voltage, IP 54 in any mounting position EMC: CE 2004/108/EG