



- Aeraulic
- Actuator 10 Nm
- On-off
- Safety dampers

## Actuators with spring reset 10Nm type NFA-(S)

Servomotors with spring return for air volume safety dampers of up to 2 m<sup>2</sup>. This type is a multi-volt execution and has an electrical supply of 24-240V. Simple direct mounting on the damper axle with a universal spindle clamp, supplied with an anti-rotation strap to prevent the actuator from rotating.

**Type S2:** With 2 integrated 0-100% auxiliary switches for adjustable signalization.

### Brand

- Belimo

### Application

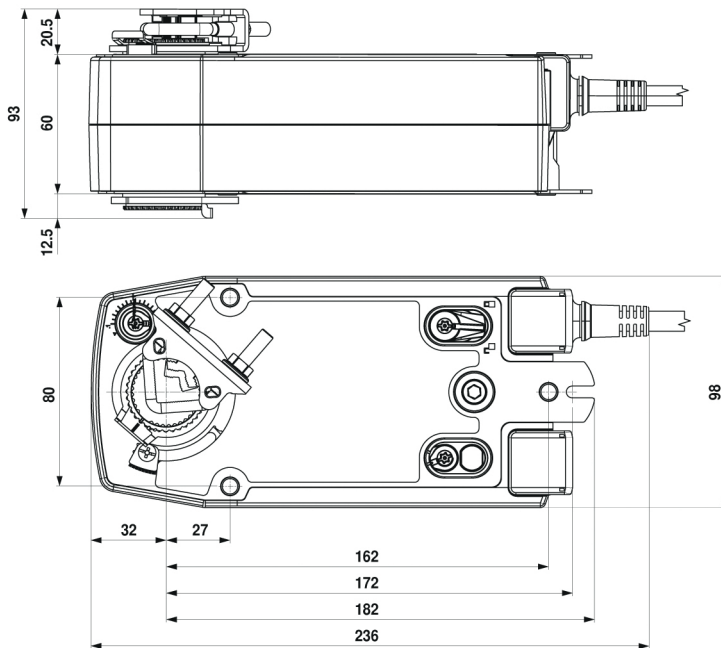
- Safety dampers

### Specifications

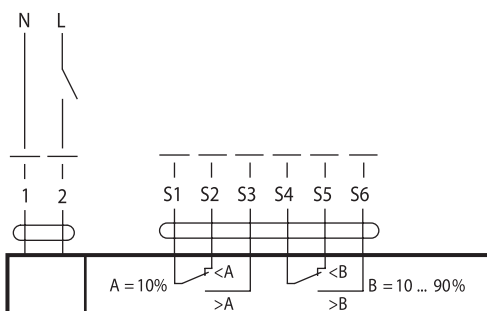
- Torque 10 Nm
- Nominal Voltage **NFA-(S2)**: 24...240V AC ,50/60Hz, 24...125V DC
- Control : open-close with spring return
- Auxiliary switches: 2 x EPU, 1 mA ... 3 (0.5) A, AC 250 V (1x fixed at 10%, 1x 10-90% adjustable)

### Technical data

- Power consumption:
  1. In operation: 6 W @ nominal torque **NFA-(S2)**
  2. At rest: 2.5 W **NFA-(S2)**
  3. For wire sizing: 9.5 VA **NFA-(S2)**
- Direction of rotation: reversible by mounting
- Angle of rotation: max. 95° , limited on both sides by means of adjustable, mechanical end stops. The actuator is overload proof; requires no limit switches and automatically stops when the end stop is reached
- Running time motor: <75 s
- Running time spring return: <60 s
- Sound power level: max. 62 dB (A)
- Degree of protection: IP54 in any mounting position



### Electrical diagram



- 1: black
- 2: red
- S1: violet
- S2: red
- S3: white
- S4: orange
- S5: pink
- S6: grey