

- Aeraulic
- Actuator 20 Nm
- On-off
- Safety dampers



Actuators with spring reset 20Nm type SFA-(S)

Servomotors with spring return for air volume safety dampers of up to 4 m² depending on the type of air valve and the pressure on the valves. This type is a multi-volt execution and has an electrical supply of 24-240V.

Simple direct mounting on the damper axle with a universal spindle clamp, supplied with an anti-rotation strap to prevent the actuator from rotating.

Type S2: With 2 integrated 0-100% auxiliary switches for adjustable signalization.

Brand

- Belimo

Application

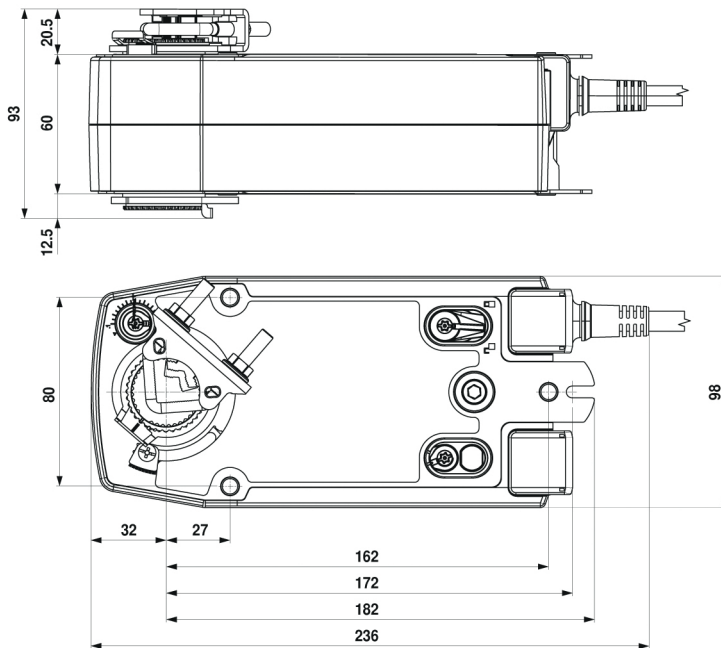
- Safety dampers

Specifications

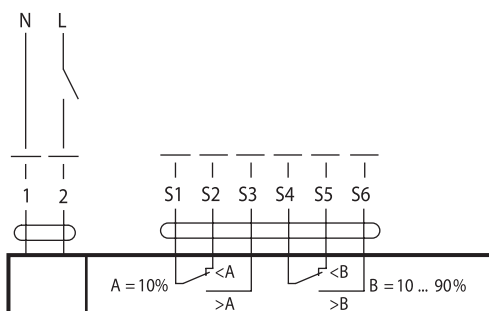
- Torque 20 Nm
- Nominal Voltage **SFA-(S2)** AC 24...240 V / DC 24...125 V
- Control : open-close with spring return
- Auxiliary switches: 2 x EPU, 1 mA ... 3 (0.5) A, AC 250 V (1x fixed at 10%, 1x 10-90% adjustable)

Technical data

- Power consumption:
 1. In operation: 6,5 W @ nominal torque **SFA-(S2)**
 2. At rest: 3.5 W **SFA-(S2)**
 3. For wire sizing: 18 VA **SFA-(S2)**
- Direction of rotation: reversible by mounting
- Angle of rotation: max. 95° , limited on both sides by means of adjustable, mechanical end stops. The actuator is overload proof; requires no limit switches and automatically stops when the end stop is reached
- Running time motor: <75 s
- Running time spring return: <60 s
- Sound power level: max. 62 dB (A)
- Degree of protection: IP54 in any mounting position



Electrical diagram



- 1: black
- 2: red
- S1: violet
- S2: red
- S3: white
- S4: orange
- S5: pink
- S6: grey