

## Actuators with spring reset 10Nm type NRFA-(S)

Actuators for 2 or 3 way ball valves with spring return of the Belimo brand. Easy and direct mounting on the ball valve. This is a multi-volt execution with an electrical supply of 24-240V. Applicable up to DN40.

**Type S2:** The 2 auxiliary contacts 0-100% are included for adjustable signalization.

### Brand

- Belimo

### Application

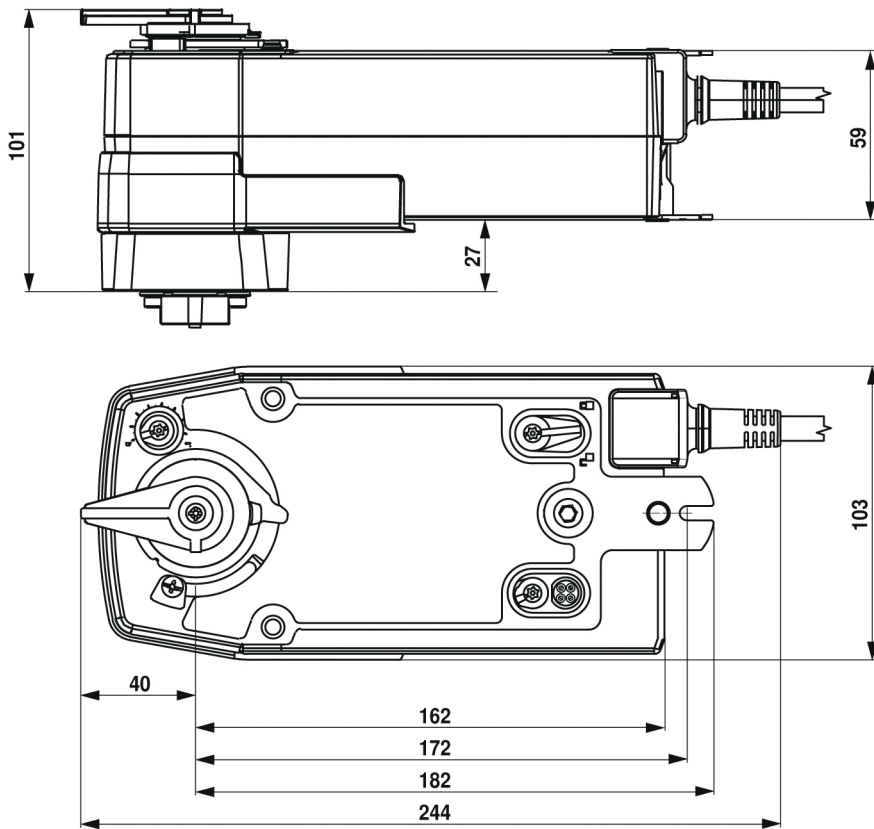
- Actuator for ball valves of the R20 & R30 type of the Belimo brand.

### Specifications

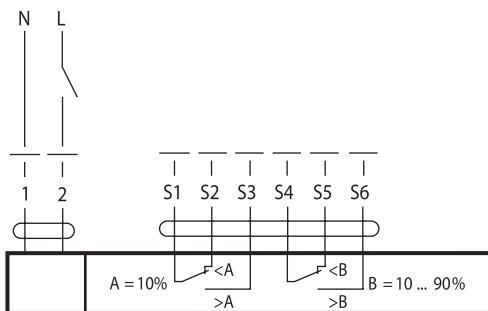
- Torque 10 Nm
- Nominal Voltage **NRFA-(S2)**: 24...240V AC ,50/60Hz, 24...125V DC
- Control: open-close with spring return
- Auxiliary switches: 2 x EPU, 1 mA ... 3 (0.5) A, AC 250 V (1x fixed at 10%, 1x 10-90% adjustable)

### Technical data

- Power consumption:
  1. In operation: 6 W @ nominal torque **NRFA-(S2)**
  2. At rest: 2.5 W **NRFA-(S2)**
  3. For wire sizing: 9.5 VA **NRFA-(S2)**
- Direction of rotation: reversible by mounting
- Angle of rotation: max. 95° , limited on both sides by means of adjustable, mechanical end stops. The actuator is overload proof; requires no limit switches and automatically stops when the end stop is reached
- Running time motor: <75 s
- Running time spring return: <60 s
- Sound power level: max. 62 dB (A)
- Degree of protection: IP54 in any mounting position



### Electrical diagram



- 1: black
- 2: red
- S1: violet
- S2: red
- S3: white
- S4: orange
- S5: pink
- S6: grey