



Actuators with spring reset 20Nm type SRFA-(S)

Actuators for 2 or 3 way ball valves with spring return of the Belimo brand. Easy and direct mounting on the ball valve. This is a multi-volt execution with an electrical supply of 24-240V. Applicable up to DN40.

Type S2: The 2 auxiliary contacts 0-100% are included for adjustable signalization.

Brand

- Belimo

Application

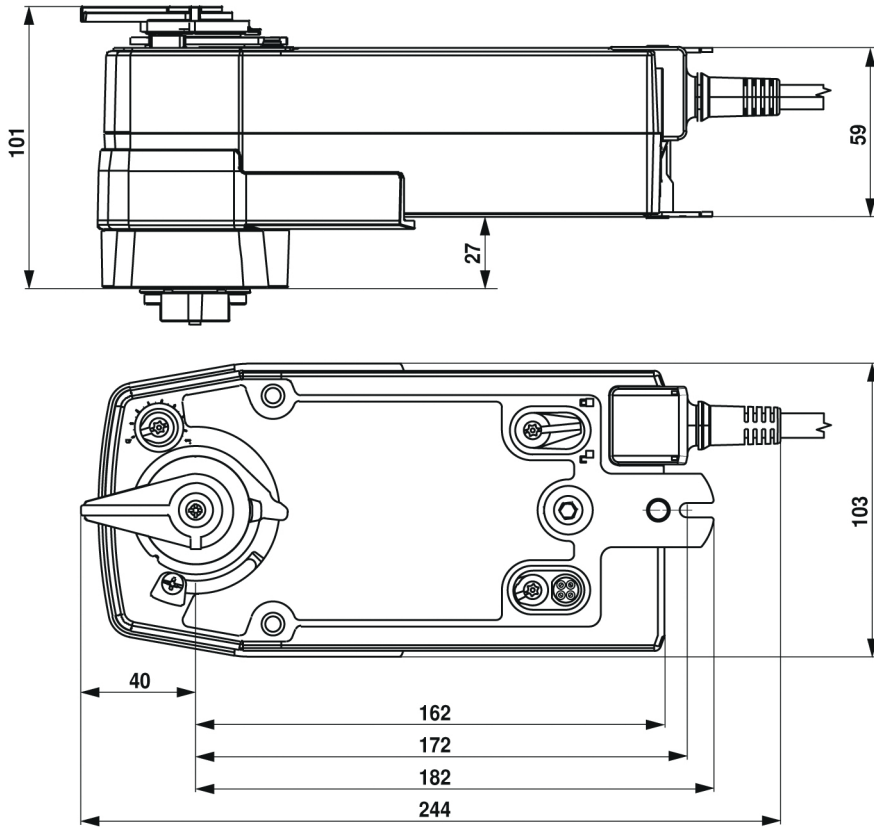
- Actuator for ball valves of the R20 & R30 type of the Belimo brand.

Specifications

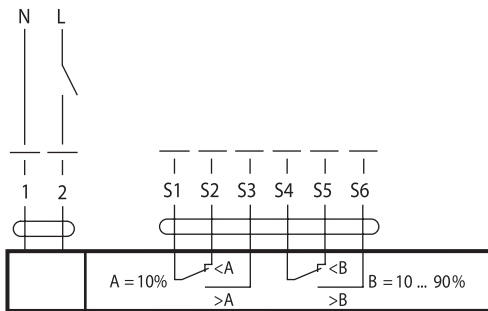
- Torque 20 Nm
- Nominal Voltage **SRFA-(S2)** AC 24...240 V / DC 24...125 V
- Control: open-close with spring return
- Auxiliary switches: 2 x EPU, 1 mA ... 3 (0.5) A, AC 250 V (1x fixed at 10%, 1x 10-90% adjustable)

Technical data

- Power consumption:
 1. In operation: 7 W @ nominal torque **SRFA-(S2)**
 2. At rest: 3.5 W **SRFA-(S2)**
 3. For wire sizing: 18 VA **SRFA-(S2)**
- Direction of rotation: reversible by mounting
- Angle of rotation: max. 90°
- Running time motor: <75 s/90°
- Running time spring return: <60 s/90°
- Sound power level: max. 45 dB (A)
- Degree of protection: IP54 in any mounting position



Electrical diagram



- 1: black
- 2: red
- S1: violet
- S2: red
- S3: white
- S4: orange
- S5: pink
- S6: grey