

- Hydraulic
- 2-way valve
- Ball control valve
- Actuator for ball control valves 5Nm



Ball control valves, 2-way, with internal thread type BCV R20

Brand

- Belimo

Application

The ball valve has been designed for use in stationary heating, ventilation and air-conditioning systems and is not allowed to be used outside the specified field of application, especially in aircraft or in any other airborne means of transport.

Accessoires

- Ball valve actuator, type **LR...A(s)-(SR)**

	Specifications			
	DN [mm]	Rp [Inch]	Kvs [m³/h]	ps [kPa]
R2015-P63-S1	15	1/2	0,63	1600
R2015-1-S1	15	1/2	1	1600
R2015-1P6-S1	15	1/2	1,6	1600
R2015-2P5-S1	15	1/2	2,5	1600
R2015-4-S1	15	1/2	4	1600
R2015-6P3-S1	15	1/2	6,3	1600
R2015-S1	15	1/2	15	1600
R2020-4-S2	20	3/4	4	1600
R2020-6P3-S2	20	3/4	6,3	1600
R2020-8P6-S2	20	3/4	8,6	1600
R2020-S2	20	3/4	32	1600
R2025-6P3-S2	25	1	6,3	1600
R2025-10-S2	25	1	10	1600
R2025-16-S2	25	1	16	1600
R2025-S2	25	1	26	1600

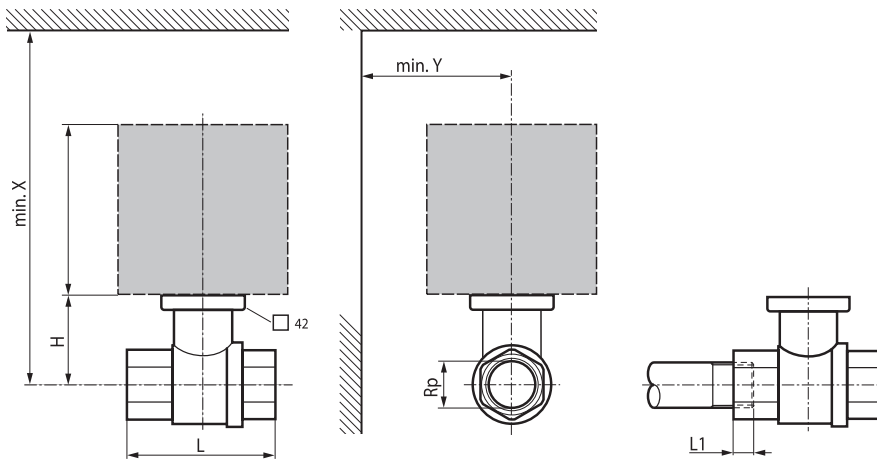
Technical data

Functional data

- Media: Cold and hot water, water with glycol up to max. 50% vol + temper
- Medium temperature: -10 °C ... 120 °C
- Closing pressure Δp_s : 1400 kPa
- Differential pressure Δp_{max} : 350 kPa
- Leakage rate: A, Air bubble-tight (EN 12266-1)
- Pipe connectors: Internal thread in accordance with ISO 7/1
- Angle of rotation with limitation: 90° (operating range 15 ... 90°)
- Installation position: Upright to horizontal (in relation to the spindle)
- Maintenance: Maintenance-free

Materials

- Valve: Forged, nickel-plated brass body
- Valve cone: Stainless steel
- Spindle: Stainless steel
- Stem seal: O-ring EPDM
- Valve seat: PTFE, O-Ring EPDM (DN20 Viton)
- Characterising disk: Path A-AB: DN15 ... DN50 TEFZEL (R2040-25-S3, R2050-40-S4: Stainless Steel)



Dimensions									
DN		[kg]	Rp ["]	L [mm]	L1 [mm]	H [mm]	M [mm]	X [mm]	Y [mm]
15	R2015-P63-S1	0.24	1/2	67	13	35	36	230	90
15	R2015-1-S1	0.24	1/2	67	13	35	36	230	90
15	R2015-1P6-S1	0.24	1/2	67	13	35	36	230	90
15	R2015-2P5-S1	0.3	1/2	67	13	44	36	230	90
15	R2015-4-S1	0.3	1/2	67	13	44	36	230	90
15	R2015-6P3-S1	0.3	1/2	67	13	44	36	230	90
15	R2015-S1	0.3	1/2	67	13	44	36	230	91
20	R2020-4-S2	0.42	3/4	78	14	46	45	235	90
20	R2020-6P3-S2	0.42	3/4	78	14	46	45	235	90
20	R2020-8P6-S2	0.42	3/4	78	14	46	45	235	90
20	R2020-S2	0.42	3/4	78	14	46	45	235	90
25	R2025-6P3-S2	0.55	1	87	16	46	45	235	90
25	R2025-10-S2	0.55	1	87	16	46	45	235	90
25	R2025-16-S2	0.55	1	87	16	46	45	235	90
25	R2025-S2	0.55	1	87	16	46	45	235	90