

- Hydraulic
- 3-way valve
- Ball control valve
- Actuator for ball control valves 5Nm



Ball control valves, 3-way, with internal thread type BCV R30

Brand

- Belimo

Application

The ball valve has been designed for use in stationary heating, ventilation and air-conditioning systems and is not allowed to be used outside the specified field of application, especially in aircraft or in any other airborne means of transport.

Accessoires

- Ball valve actuator, type **LR...A(s)-(SR)**

| | Specifications | | | |
|--------------|----------------|-----------|-------------------------|----------|
| | DN [mm] | Rp [Inch] | Kvs [m ³ /h] | ps [kPa] |
| R3015-P63-S1 | 15 | 1/2 | 0,63 | 1600 |
| R3015-1-S1 | 15 | 1/2 | 1 | 1600 |
| R3015-1P6-S1 | 15 | 1/2 | 1,6 | 1600 |
| R3015-2P5-S1 | 15 | 1/2 | 2,5 | 1600 |
| R3015-4-S1 | 15 | 1/2 | 4 | 1600 |
| R3015-S1 | 15 | 1/2 | 8,6 | 1600 |
| R3020-4-S2 | 20 | 3/4 | 4 | 1600 |
| R3020-6P3-S2 | 20 | 3/4 | 6,3 | 1600 |
| R3020-S2 | 20 | 3/4 | 21 | 1600 |
| R3025-6P3-S2 | 25 | 1 | 6,3 | 1600 |
| R3025-10-S2 | 25 | 1 | 10 | 1600 |
| R3025-S2 | 25 | 1 | 21 | 1600 |

Technical data

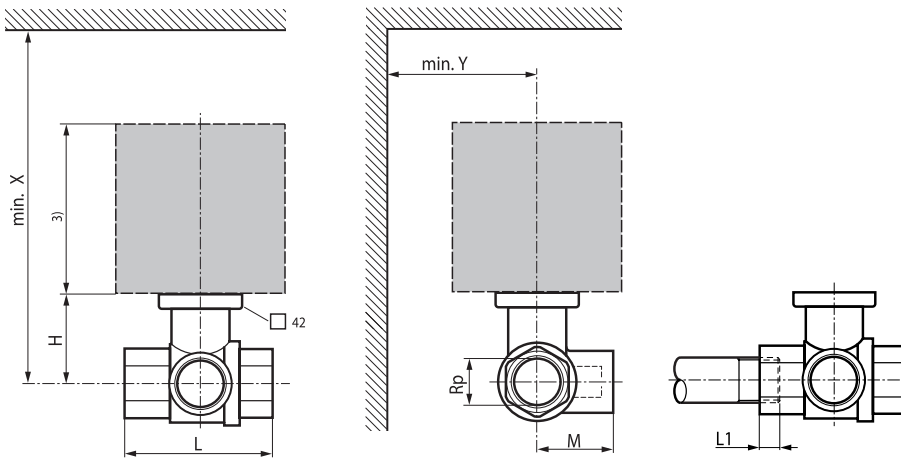
Functional data

- Media: Cold and hot water, water with glycol up to max. 50% vol + temper
- Medium temperature: -10 °C ... 120 °C
- Closing pressure Δp_s : 1400 kPa
- Differential pressure Δp_{max} : 350 kPa
- Leakage rate: A, Air bubble-tight (EN 12266-1)
- Pipe connectors: Internal thread in accordance with ISO 7/1
- Angle of rotation with limitation: 90° (operating range 15 ... 90°)
- Installation position: Upright to horizontal (in relation to the spindle)
- Maintenance: Maintenance-free

Materials

- Valve: Forged, nickel-plated brass body
- Valve cone: Stainless steel

- Spindle: Stainless steel
- Stem seal: O-ring EPDM
- Valve seat: PTFE, O-Ring EPDM (DN20 Viton)
- Characterising disk: Path A-AB: DN15 ... DN50 TEFZEL
(R2040-25-S3, R2050-40-S4: Stainless Steel)



| Dimensions | | | | | | | | | |
|------------|--------------|------|--------|--------|---------|--------|--------|--------|--------|
| DN | | [kg] | Rp ["] | L [mm] | L1 [mm] | H [mm] | M [mm] | X [mm] | Y [mm] |
| 15 | R3015-P63-S1 | 0.24 | 1/2 | 67 | 13 | 35 | 36 | 230 | 90 |
| 15 | R3015-1-S1 | 0.24 | 1/2 | 67 | 13 | 35 | 36 | 230 | 90 |
| 15 | R3015-1P6-S1 | 0.24 | 1/2 | 67 | 13 | 35 | 36 | 230 | 90 |
| 15 | R3015-2P5-S1 | 0.3 | 1/2 | 67 | 13 | 44 | 36 | 230 | 90 |
| 15 | R3015-4-S1 | 0.3 | 1/2 | 67 | 13 | 44 | 36 | 230 | 90 |
| 15 | R3015-S1 | 0.3 | 1/2 | 67 | 13 | 44 | 36 | 230 | 90 |
| 20 | R3020-4-S2 | 0.42 | 3/4 | 78 | 14 | 46 | 45 | 235 | 90 |
| 20 | R3020-6P3-S2 | 0.42 | 3/4 | 78 | 14 | 46 | 45 | 235 | 90 |
| 20 | R3020-S2 | 0.42 | 3/4 | 78 | 14 | 46 | 45 | 235 | 90 |
| 25 | R3025-6P3-S2 | 0.55 | 1 | 87 | 16 | 46 | 45 | 235 | 90 |
| 25 | R3025-10-S2 | 0.55 | 1 | 87 | 16 | 46 | 45 | 235 | 90 |
| 25 | R3025-S2 | 0.55 | 1 | 87 | 16 | 46 | 45 | 235 | 90 |