

- Hydraulic
- Global valve
- Actuator 500N



Globe valve actuator for 2-way and 3-way globe valves type LV...A-(SR)

Servomotor for 2-way and 3-way control valves

Brand

- Belimo

Application

The actuator has been designed for use in stationary heating, ventilation and air-conditioning systems and is not allowed to be used outside the specified field of application, especially in aircraft or in any other airborne means of transport.

Specifications

- Tension **LV230A-TPC** 230V AC
- Tension **LV24A-(SR)-TPC** 24V AC/DC
- Regulation: open/close, 3 points or modulating

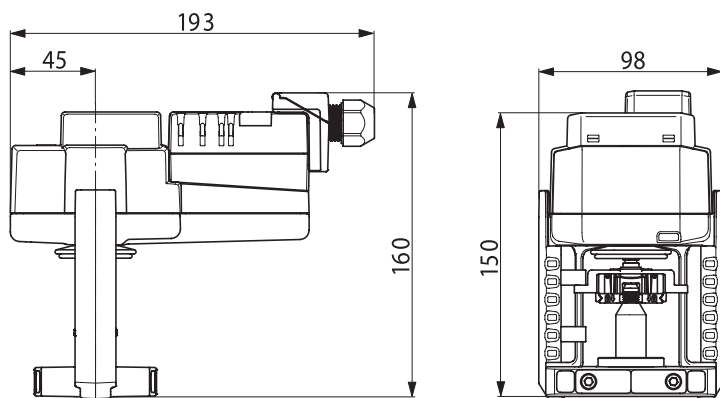
Technical data

Functional data

- Actuating force: 500 N
- Manual override: Gear disengagement with push-button, can be locked
- Nominal stroke: 15 mm
- Actuating time: 150 s / 15 mm
- Sound power level motor max.: 45 dB (A)
- Position indication: Mechanical 5 ... 15 mm stroke

Safety

- Protection class IEC/EN: II Protective insulated
- Degree of protection IEC/EN: IP54
- EMC: CE in accordance with 2004/108/EC
- Certification IEC/EN: Certified to: IEC/EN 60730-1 and IEC/EN 60730-2-14
- Mode of operation: Type 1
- Rated current voltage supply: 4 kV
- Control pollution degree: 3
- Ambient temperature: 0°C ... 50°C
- Non-operating temperature: -40°C ... 80°C
- Ambient humidity: 95% r.h., non-condensing
- Maintenance: Maintenance-free
- Weight: 1.320 kg



Type	[V]	Force [N]	Technical data		Regulation	Stroke [mm]
			Run time [s]			
LV24A-TPC	24	500	150		on/off	15
LV24A-SR-TPC	24	500	150		modulating 0-10V	15
LV230A-TPC	230	500	150		on/off	15