

- Hydraulic
- 2-way valve
- Global valve
- Actuator 500N



Globe valves 2-way, with external thread type GCV H4B

Brand

- Belimo

Application

The globe valve has been designed for use in stationary heating, ventilation and air-conditioning systems and is not allowed to be used outside the specified field of application, especially in aircraft or in any other airborne means of transport.

Specifications

- The globe valve is adjusted by a globe valve actuator. The actuators are connected by a commercially available modulating or 3-point control system and move the valve cone, which acts as a throttling device, into the opening position dictated by the positioning signal. Coupling pipes **not** included!

Specifications					
	DN [mm]	Rp [Inch]	Kvs [m ³ /h]	ps [kPa]	Stroke [mm]
H411B	15	1/2	0,63	1600	15
H412B	15	1/2	1	1600	15
H413B	15	1/2	1,6	1600	15
H414B	15	1/2	2,5	1600	15
H415B	15	1/2	4	1600	15
H420B	20	3/4	6,3	1600	15
H425B	25	1	10	1600	15
H432B	32	1 1/4	16	1600	15

Technical data

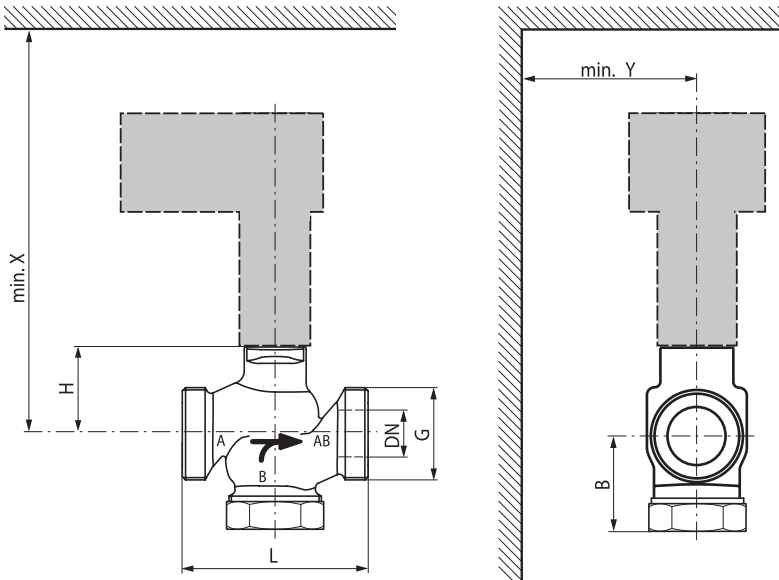
Functional data

- Media: Cold and hot water, water with glycol up to max. 50% vol
- Medium temperature: 5°C ... 120 °C
- Leakage rate: Leakage Class III (DIN EN 1349 and DIN EN 60534-4)
- Pipe connectors: External thread in accordance to ISO 228
- Closing point: Top
- Installation position: Upright to horizontal (in relation to the stem)
- Maintenance: Maintenance-free

Materials

- Valve: Red casting brass Rg5
- Valve cone: Stainless steel
- Stem: Stainless steel
- Stem seal: O-ring EPDM

- Valve seat: Red casting brass Rg5 / Niro (bypass)



Dimensions								
	DN	G ["]	L [mm]	B [mm]	H [mm]	X [mm]	Y [mm]	[kg]
H411B	15	1 1/8	80	65	46	290	100	12
H412B	15	1 1/8	80	65	46	290	100	12
H413B	15	1 1/8	80	65	46	290	100	12
H414B	15	1 1/8	80	65	46	290	100	12
H415B	15	1 1/8	80	65	46	290	100	12
H420B	20	1 1/4	90	65	46	290	100	13
H425B	25	1 1/2	110	66	52	300	100	16
H432B	32	2	120	67	56	300	100	22