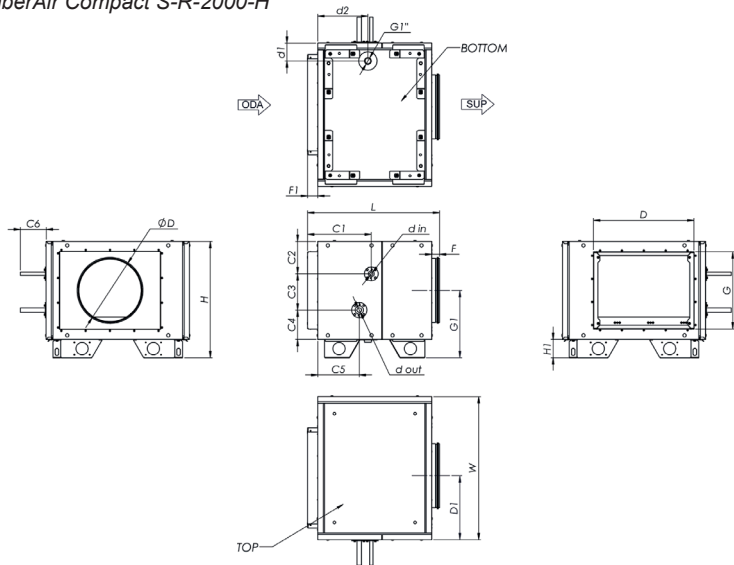


Comfort box DX right

AmberAir Compact S-R-1000-H / AmberAir Compact S-R-1500-H

/ AmberAir Compact S-R-2000-H



Comfort box DX right

AmberAir Compact S-R-3000-H

