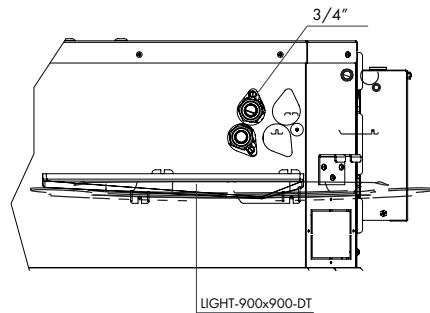


2 PIPE SYSTEM



4 PIPE SYSTEM

