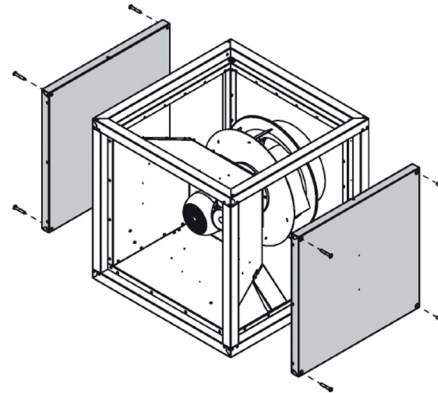
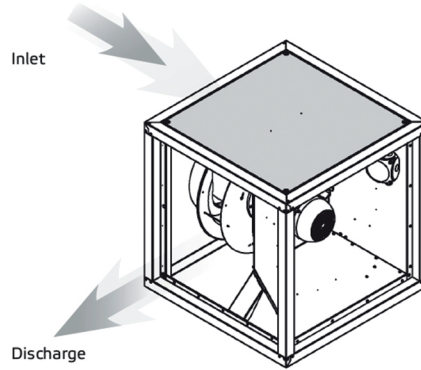
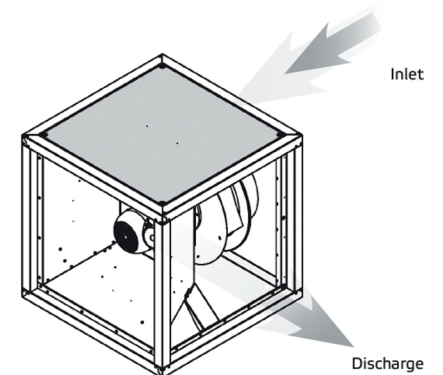


A discharge right (standard)



C discharge left



B discharge top

